

Cette notice contient d'importantes informations sur la sécurité, les performances et l'entretien. Lisez-les et comprenez-les ainsi que les informations fournies par le fabricant de votre vélo avant d'utiliser le produit, et conservez-les pour référence ultérieure.

Owner's Manual Drive Unit

BDU3840 | BDU3880

Robert Bosch GmbH
72757 Reutlingen
Germany

www.bosch-ebike.com

0 275 U07 3D4 (2024.03) T / 32



Este manual contiene información importante de seguridad, rendimiento y mantenimiento. Léalo y asegúrese de entenderlo junto con la información que le ha facilitado el fabricante de su bicicleta antes de usar el producto; guárdelo a modo de referencia.

en Original operating instructions
fr Notice d'utilisation d'origine
es Instrucciones de servicio originales

This manual contains important safety, performance and service information. Read and understand it along with the information provided to you by your bicycle manufacturer before using the product, and keep it for reference.

Performance Line CX | Performance Line Speed

Performance Line CX | Performance Line Speed



Table of Contents

Introduction	2
About Warnings	2
General Warnings	2
Using your Manual	3
Operating your Bosch Drive Unit	4
Safety instructions	4
Product description and specifications	6
Assembly	7
Operation	8
Maintenance/Cleaning	9
Cleaning	10
Taking care of your eBike	10
After-sales service and advice on using products	10
Disposal	10

Introduction

Some content is published under license from the **PeopleForBikes Coalition, LTD.**

About Warnings

This manual contains many **DANGER**, **WARNING** and **CAUTION** indicators concerning the consequences of failure to use, assemble, maintain, store, inspect and dispose of a Bosch-equipped eBike in a safe manner.

- The combination of the safety alert symbol and the word **DANGER** indicates a hazardous situation that, if not avoided, will result in death or serious injury.

- The combination of the safety alert symbol and the word **WARNING** indicates a hazardous situation that, if not avoided, could result in death or serious injury.

- The combination of the safety alert symbol and the word **CAUTION** indicates a hazardous situation that, if not avoided, could result in minor or moderate injury.

General Warnings



Read all safety warnings and all instructions. Failure to follow the warnings and instructions may result in death, property damage or serious injury.

Save all safety warnings and instructions for future reference.

The term **eBike battery** used in these operating instructions refers to all original Bosch eBike batteries from the system generation **the smart system**.

- ▶ **Read ALL accompanying manuals before riding the bike for the first time.** Your Bosch Drive System comes with additional manuals and documents provided by the manufacturer of the bicycle and other components. Failure to read and understand safety information can result in death or serious injury.

WARNING

- ▶ **This manual contains important safety, performance and service information.** Read it before you take the first ride on your new bicycle, and keep it for reference. The manual can also be found online at www.bosch-ebike.com.
- ▶ **This manual is intended to be read together with the separate user manual provided with your bi-**

cycle. Be sure to read all provided documents including labels on the product before your first ride.

- ▶ **Take responsibility for your own SAFETY.** If you have any questions or do not understand something, consult with your dealer or the bicycle or component manufacturer.
- ▶ **Some eBike accessories may present a choking hazard to small children.** Keep these accessories away from children.

CAUTION

- ▶ **The Bosch Drive System adds weight to your bicycle which you may not be used to lift.** Avoid injury, use proper lifting techniques.

Using your Manual

In addition to the functions outlined here, changes to software relating to troubleshooting and functional modifications may be introduced at any time.

Graphics

The bicycle shown in this manual may differ slightly from your bicycle, but will be similar enough to help you understand our instructions.

RIGHT-HAND and LEFT-HAND sides are determined by facing in the direction the bicycle will travel when going forward. When you see a broken line (-----), the item referred to is hidden from view.

Operating your Bosch Drive Unit

Safety instructions



Read and understand all safety warnings and instructions. Failure to follow the below warnings could result in death

or serious injury.

Save all safety warnings and instructions for future reference.

The term **eBike battery** used in these operating instructions refers to all original Bosch eBike batteries from the system generation **the smart system**.

The terms **drive** and **drive unit** used in these operating instructions refer to all original Bosch drive units from the system generation **the smart system**.

- ▶ **Read and observe the safety warnings and instructions in all operating instructions of the eBike components and your eBike.**
- ▶ **It is recommended that you periodically review this information to ensure you are following all recommendations for safe use of this product.**
- ▶ **Do not make any kind of modifications to the drive. Do not use any products to increase the performance and/or top speed of the eBike.** Modifying an eBike to increase its performance or speed may be unlawful and can result in component failure or a loss of control, leading to a crash resulting in serious injury or death. A modified eBike may no longer be regulated as an eBike, placing the operator at risk of personal liability and criminal prosecution in the event of a crash. In addition, doing so will generally reduce the service life of the eBike components. The drive unit and eBike may be damaged and guarantee and warranty claims on the eBike you have purchased may consequently be voided.
- ▶ **Do not open the drive unit. The drive unit must be repaired using only original spare parts and only by an authorized bicycle retailer.** This will ensure that the eBike remains safe to use. Unautho-

rized opening of the drive unit may render warranty claims null and void.

- ▶ **Remove the eBike battery from the eBike before beginning work (e.g. inspection, repair, assembly, maintenance, work on the chain, etc.) on the eBike. When working on permanently installed eBike batteries, take particular care to ensure that the eBike cannot be switched on.** Unintentional activation of the eBike poses a risk of injury.
- ▶ **The eBike can be switched on by pushing the eBike backwards or by turning the pedals backwards.**
- ▶ **Do not remove permanently installed eBike batteries yourself. Permanently installed eBike batteries must only be installed and removed by authorized bicycle retailers.**



Under extreme conditions, such as continuously high loads at low speed when riding up hills or carrying loads, parts of the drive unit can reach temperatures in excess of 140 °F.

- ▶ **After a ride, do not allow your unprotected hands or legs to come into contact with the housing of the drive unit.** Under extreme conditions, such as continuously high torques at low travel speeds, or when riding up hills or carrying loads, very high temperatures may be reached on the housing. Contact with hot components can result in burns if touched. The temperatures that may be reached on the drive unit housing are influenced by the following factors:
 - Ambient temperature
 - Ride profile (route/gradient)
 - Ride duration
 - Riding modes
 - User behavior (personal effort)
 - Total weight (rider, eBike, luggage)

- Motor cover on the drive unit
- Heat dissipation properties of the bicycle frame
- Type of drive unit and type of gear-shifting

- ▶ **Use only original Bosch eBike batteries from the system generation the smart system that the manufacturer has approved for your eBike.** Using other eBike batteries can lead to injuries and pose a fire hazard. Bosch accepts no liability if other eBike batteries are used.

Safety instructions for the rim magnet

The following safety instructions must be observed when handling the rim magnet:

- ▶ **Warning of very strong magnetic fields: The rim magnet generates a very strong magnetic field that may influence the magnetic storage media (e.g. credit card) and electronic devices (e.g. clock). There is a risk of data loss and damage to devices.** Do not move any media or devices sensitive to magnetic fields into the immediate vicinity of the rim magnet.
- ▶ **Warning of hand injuries caused by parts attracted to the magnet: There is a risk of injury if your fingers or hands get caught between the magnet and the objects attracted to it. This may cause skin injuries (e.g. if metal chips are attracted), crushing injuries, contusions or fractures.** You can avoid these by being vigilant and wearing suitable protective clothing.
- ▶ **Danger to persons with implants and other medical devices, e.g. pacemakers, defibrillators or insulin pumps: Keep these away from the immediate vicinity of the rim magnet.**
 - The magnet creates a field which can impair the function of implants and medical devices.
 - To avoid impairments, the rim magnet should not be held directly in front of the chest.
 - A minimum distance of 30 cm to the chest should be maintained.
- ▶ **Observe all national regulations which set out the approved use of eBikes.**

- ▶ **Please observe all local, state and federal regulations when registering and using eBikes.**

Privacy notice

When connecting the eBike to the **Bosch Diagnostic-Tool 3** or when exchanging eBike components, technical information about your eBike (e.g. manufacturer, model, bike ID, configuration data) as well as regarding the use of the eBike (e.g. total travel time, energy consumption, temperature) is transmitted to Bosch eBike Systems (Robert Bosch GmbH) for processing your request, in service cases and for the purposes of product improvement. More information on data processing can be found at www.bosch-ebike.com/privacy-full.

Product description and specifications

Intended use

The Bosch drive unit from the system generation **the smart system** is intended exclusively for driving your eBike and must not be used for any other purpose.

In addition to the functions outlined here, changes to software relating to troubleshooting and functional modifications may be introduced at any time.

Technical data

Drive unit	Drive Unit Performance Line CX/Speed	
Product code		BDU3840 BDU3880
Continuous rated power	W	250
Torque at drive, max.	Nm	85
Rated voltage	V	36
Operating temperature	°F	23 to 104
Storage temperature	°F	50 to 104
Protection rating		IP55
Weight, approx.	lbs	6.2

Bosch eBike Systems uses FreeRTOS (see www.freertos.org).

Bicycle lights^{A)}

Voltage approx.	V	12
Maximum power	W	18

A) Depends on legal regulations, not possible in all country-specific models via the eBike battery

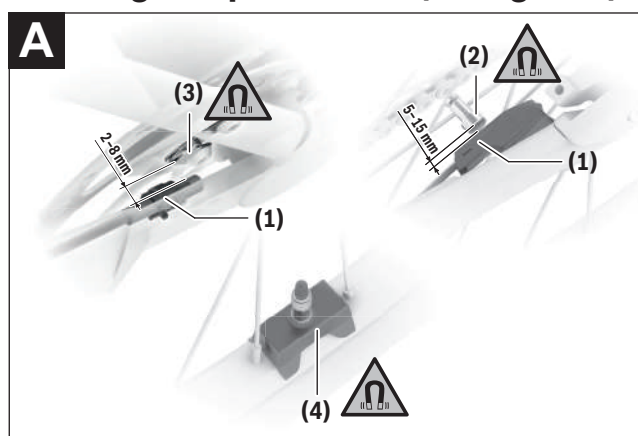
Inserting a bulb incorrectly can cause it to blow.

Details on noise emissions on the drive unit

The A-rated emission sound pressure level for the drive unit is < 70 dB(A) in standard operating mode. If the eBike is moved without authorization, the drive unit generates an alarm tone as a key feature of the **<eBike Alarm>** service. This alarm tone may exceed the emission sound pressure level of 70 dB(A) and is 80 dB(A) two meters away from the drive unit. The alarm tone is only available after activating the **<eBike Alarm>** service and can be deactivated again via the **eBike Flow** app.

Assembly

Checking the speed sensor (see figure A)



- (1) Speed sensor ^{a)}
- (2) Spoke magnet
- (3) CenterLock magnet ^{b)}
- (4) Rim magnet

- a) Different sensor shape and installation position possible
- b) a different installation position is possible

Speed Sensor (slim)

The speed sensor **(1)** and its CenterLock magnet **(3)** or spoke magnet **(2)** are mounted ex works in such a manner that the magnet, after a turn of the wheel, moves past the speed sensor with a clearance of at least 2 mm, yet no more than 15 mm.

The correct distance between the magnet and sensor must be maintained (see figure **A**) if design changes are made.

Notes: Ensure that you do not damage the sensor or sensor bracket when fitting or removing the rear wheel.

When changing a wheel, make sure that the sensor cable is routed so that it is not under tension and has no kinks.

The CenterLock magnet **(3)** can only be removed and reinserted up to five times.

Rim magnet

Note: The rim magnet's alignment with the rim must not be changed (see figure **A**).

If a rim magnet is installed, no sensor is required to detect a wheel turn. The drive unit itself detects when the magnet is close to it and calculates the speed and any other data required from the frequency of the emergence of the magnetic field.

Since the drive unit is sensitive to magnetic fields, avoid other magnetic fields in the vicinity of the drive unit (e.g. magnetic clipless pedals, magnetic cadence sensors, magnetic or magnetized tools, etc.) in order to prevent disruption to the drive unit.

Operation

An operating unit from the system generation **the smart system** is required for starting operation of the eBike. Observe the operating instructions for the operating unit and additional components from the system generation **the smart system** where necessary.

Notes on cycling with your eBike

Note: The eBike system **always** starts in **OFF** mode for drive units with a maximum speed of more than **20 mph**.

When does the drive take effect?

The drive assists your cycling only when you are pedaling. If you do not pedal, the assistance will not work. The drive output always depends on the pedaling force and cadence that you apply.

With a lower force applied or a less frequent cadence, the assistance provided will be lower than that supplied at a higher force or a more frequent cadence. This applies irrespective of the riding mode.

The drive automatically switches off at speeds over **20/28 mph**. When the speed falls below **20/28 mph**, the drive automatically becomes available again.

An exception applies to the push assistance function, in which the eBike can be pushed at low speed without pedaling. The pedals may rotate when the push assistance is in use.

You can also use the eBike as a normal bicycle without assistance at any time, either by switching off the eBike or by setting the riding mode to **OFF**. The same applies when the eBike battery is drained.

Interaction of the drive unit with the gear-shifting

You should shift through gears on an eBike in the same manner as when using a normal bicycle (observe the operating instructions of your eBike with regard to this point).

Irrespective of the type of gear shifting, it is advisable that you briefly reduce the pressure on the pedals when changing gear. This will aid gear shifting and reduce wear on the powertrain.

By selecting the correct gear, you can increase your speed and range while applying the same amount of force.

Gaining initial experience

We recommend that you gain initial experience with the eBike away from busy roads.

Test the various riding modes. Start in a riding mode with a small amount of assistance. As soon as you feel confident, you can ride your eBike in traffic like any other bicycle.

Test the range of your eBike in different conditions before planning longer and more demanding trips.

Influences on range

It is not possible to calculate the range accurately before and during a trip because the range is affected by a number of factors.

Enter the factors in the Range Assistant in order to better assess the effects on the range.

Scan the code provided to open the Range Assistant.



Maintenance/Cleaning

⚠ WARNING

- ▶ **Do not open any of the components. Service should only be carried out at an authorized Bosch eBike dealer.** Failure to follow above warning can cause death or serious injury. Refer to your bicycle manual or component manual for all non-Bosch drive system components.
- ▶ **Always remove the battery pack before performing any bicycle inspection, maintenance or repair.** Failure to remove the battery pack before performing bicycle inspection, maintenance or repair can lead to serious injury.
- ▶ **If you suspect that something is loose, do not ride your bike.** See your Bosch eBike dealer, only a qualified service provider should perform work on your Bosch Drive System. All nuts, bolts, screws require the correct tightening force. Too little force and the fastener may not hold securely. Too much force and the fastener can strip threads, stretch, deform or break. Either way, incorrect tightening force can result in component failure, which can cause you to lose control and fall.
- ▶ **If replacing your battery, buy only a genuine Bosch battery pack from an approved source. See your Bosch eBike dealer for original Bosch parts.**
- ▶ **Always switch the battery pack off, when inserting or removing it from the holder.** Never attempt to insert or remove the battery pack while riding the bike.
- ▶ **Do not charge or use your eBike in any area with a potentially explosive atmosphere, such as at a fueling area, or in areas where the air contains chemicals or particles (such as grain, dust, or metal powders).** Obey all signs and instructions.
- ▶ **Do not submerge your eBike components in water, or wash with pressurized hose.** Your Bosch drive unit is designed to be water tight to rain water or non-pressure hose washing.

- ▶ **Note down the manufacturer and the number of the key.** In case of loss of the keys, please refer to an authorised Bosch eBike dealer. Please provide the name of the manufacturer and the number of the key.
- ▶ **Do not apply any cleaning agents, paint or chemicals to any components of the Bosch drive system as they may cause premature failure of the component.**

When changing the bulbs, ensure that they are compatible with the Bosch eBike system of the generation **the smart system** (ask your bicycle retailer) and are suitable for the specified voltage. Bulbs must only be replaced with bulbs of the same voltage.

All components fitted to the drive unit and all other components of the drive (e.g. chainring, chainring receptacle, pedals, cranks) must only be replaced with identical components or components that have been specifically approved by the manufacturer for your eBike. This will protect the drive unit from overloading and becoming damaged.

Keep the drive unit clean and avoid contact with aggressive substances and fuels, e.g. diesel. Take care when cleaning the drive unit.

Cleaning

- ▶ **Do not submerge your eBike components in water, or wash with pressurized hose.** Your Bosch drive unit is designed to be water tight to rain water or non-pressure hose washing. Keep all components of your eBike clean, especially the battery pack contacts and corresponding holder contacts. All components including the drive unit may not be immersed in water or cleaned with a high-pressure cleaner. Clean them carefully with a soft, damp cloth (using only mild soap and water).

Taking care of your eBike

Please observe the operating and storage temperatures of the eBike components. Protect the drive unit, on-board computer and eBike battery against extreme temperatures (e.g. from intense sunlight without adequate ventilation). Extreme temperatures can cause the components (especially the eBike battery) to become damaged.

Have your eBike checked by an expert at least once a year (including mechanical parts, up-to-dateness of system software).

Please have your eBike serviced and repaired by an authorized bicycle dealer.

After-sales service and advice on using products

If you have any questions about the eBike and its components, contact an authorized bicycle retailer. For contact details of authorized bike dealerships, please visit www.bosch-ebike.com.



More information about the eBike components and their functions can be found in the Bosch eBike Help Center.

Disposal



The drive unit, on-board computer incl. operating unit, eBike battery, speed sensor, accessories and packaging should be disposed of in an environmentally correct manner.

Do not dispose of eBikes and their components with household waste.

Please return Bosch eBike components that are no longer usable, free of charge, to an authorized bicycle dealer or a recycling center.

Subject to change without notice.

Sommaire

Introduction	2
À propos des avertissements.....	2
Avertissements généraux.....	2
Utilisez votre notice d'utilisation	3
Utilisation de votre Drive Unit Bosch	4
Consignes de sécurité	4
Description des prestations et du produit.....	6
Montage.....	7
Fonctionnement.....	8
Entretien/nettoyage	9
Nettoyage.....	10
Entretien du système eBike	10
Service après-vente et conseil utilisateurs	10
Élimination des déchets.....	10

Introduction

Certains contenus sont publiés sous la licence de **PeopleForBikes Coalition, LTD.**

À propos des avertissements

Cette notice contient de nombreuses mentions de danger de type **DANGER, AVERTISSEMENT** et **ATTENTION** destinées à attirer l'attention sur les conséquences d'erreurs, dans le but d'utiliser, d'assembler, d'entretenir, de conserver et d'éliminer dans les règles et en toute sécurité les vélos électriques dotés d'un système eBike Bosch.

- Le symbole de sécurité et le mot **DANGER** signalent une situation à risque élevé, qui entraîne inévitablement des blessures graves, voire la mort, si elle n'est pas évitée.

- Le symbole de sécurité et le mot **AVERTISSEMENT** signalent une situation à risque élevé, pouvant entraîner des blessures graves, voire la mort, si elle n'est pas évitée.
- Le symbole de sécurité et le mot **ATTENTION** signalent une situation à risque modéré pouvant entraîner des blessures légères ou modérées si elle n'est pas évitée.

Avertissements généraux



Lisez toutes les consignes de sécurité et instructions. Le non-respect des consignes de sécurité et des instructions peut entraîner des blessures graves, voir la mort et causer des dommages matériels.

Conservez tous les avertissements et toutes les instructions pour pouvoir s'y reporter ultérieurement.

Le terme **batterie VAE** utilisé dans cette notice désigne toutes les batteries VAE Bosch d'origine de la génération **the smart system (le système intelligent)**.

- ▶ **Lisez TOUS les manuels et TOUTES les notices jointes avant d'utiliser votre vélo pour la première fois.** Votre système d'entraînement Bosch est livré avec d'autres manuels et documents fournis par le fabricant du vélo et des autres éléments. Ne pas lire ou ne pas comprendre les informations de sécurité peut entraîner des blessures graves ou mortelles.

⚠ AVERTISSEMENT

- ▶ **Cette notice contient d'importantes informations sur la sécurité, les performances et l'entretien.** Veuillez la lire avant d'utiliser votre vélo pour la première fois, et la conserver pour référence ultérieure. Vous pouvez également retrouver cette notice en ligne à l'adresse www.bosch-ebike.com.
- ▶ **Cette notice est destinée à être lue conjointement avec le manuel utilisateur séparé fourni avec votre vélo.** Assurez-vous de lire tous les documents fournis y compris les étiquettes apposées sur le produit avant la première utilisation.
- ▶ **Assumez la responsabilité de votre propre SÉCURITÉ.** En cas de question ou d'incompréhension, contactez votre revendeur ou le fabricant du vélo ou de l'élément.
- ▶ **Certains accessoires de l'eBike peuvent présenter un risque d'étouffement pour les petits enfants.** Conservez ces accessoires hors de portée des enfants.

ATTENTION

► **Le système d'entraînement Bosch alourdit votre vélo. Vous n'avez peut-être pas l'habitude de le soulever.** Évitez de vous blesser en utilisant des techniques de levage appropriées.

Utilisez votre notice d'utilisation

Nous nous réservons le droit d'apporter à tout moment des modifications au logiciel pour corriger des erreurs ou pour modifier les fonctionnalités décrites dans la présente notice.

Graphiques

Le vélo illustré dans cette notice peut être légèrement différent de votre vélo, mais il est suffisamment similaire pour vous permettre de comprendre nos instructions.

Les côtés DROIT et GAUCHE sont déterminés en se plaçant en situation, dans le sens de la marche du vélo. Lorsqu'une ligne en pointillé (-----) apparaît, l'élément auquel il est fait référence n'est pas visible.

Utilisation de votre Drive Unit Bosch

Consignes de sécurité



Lisez et comprenez tous les avertissements et toutes les instructions. Le fait de ne pas respecter les avertissements ci-dessous peut entraîner des blessures graves ou mortelles.

Conservez tous les avertissements et toutes les instructions pour pouvoir s’y reporter ultérieurement.

Le terme **batterie VAE** utilisé dans cette notice désigne toutes les batteries VAE Bosch d’origine de la génération **the smart system (le système intelligent)**.

Les termes **unité d’entraînement** et **Drive Unit** utilisés dans cette notice désignent toutes les Drive Units Bosch d’origine de la génération **the smart system (le système intelligent)**.

- ▶ **Lisez et respectez les consignes de sécurité et les instructions de toutes les notices d’utilisation des composants VAE, ainsi que la notice d’utilisation de votre VAE.**
- ▶ **Nous recommandons de relire régulièrement les présentes informations pour vous assurer que vous suivez bien toutes les recommandations permettant d’utiliser ce produit en toute sécurité.**
- ▶ **N’apportez aucune modification à la Drive Unit. N’utilisez pas de produits destinés à améliorer les performances et/ou relever la vitesse d’assistance maximale du VAE.** Toute modification apportée dans le but d’améliorer les performances et/ou relever la vitesse d’assistance maximale du VAE est illicite et peut conduire à une défaillance des composants ou à une perte de contrôle du VAE pouvant entraîner un accident et des blessures graves voir mortelles. Un VAE modifié n’est plus un VAE au sens de la législation en vigueur. Son utilisation engage la responsabilité personnelle de l’utilisateur et

peut donner lieu à des poursuites judiciaires en cas d’accident. De plus, cela a des répercussions négatives sur la durée de vie des composants du VAE. La Drive Unit et le VAE risquent de subir des dommages et la garantie constructeur sur le vélo que vous avez acheté est annulée.

- ▶ **N’ouvrez pas la Drive Unit. Confiez la réparation de la Drive Unit à un revendeur de VAE agréé utilisant uniquement des pièces de rechange d’origine.** Cela permet de pouvoir continuer à utiliser le VAE en toute sécurité. Toute ouverture non autorisée de la Drive Unit annule la garantie.
- ▶ **Retirez la batterie du vélo électrique avant d’entreprendre des travaux (réparation, montage, entretien, interventions au niveau de la chaîne etc.) sur le vélo. Si le VAE est doté d’une batterie fixe, prenez des précautions qui s’imposent pour exclure toute activation du VAE.** Une activation involontaire du VAE risque de provoquer des blessures.
- ▶ **Le VAE peut s’activer lorsque vous reculez le vélo ou faites tourner les pédales vers l’arrière.**
- ▶ **Vous ne devez pas retirer vous-même des batteries de VAE fixes. Confiez la dépose/repose des batteries de VAE fixes à un revendeur agréé.**



Dans certaines circonstances extrêmes, notamment en cas de roulage prolongé à faible vitesse avec charge élevée (dans des côtes en montagne notamment), certaines parties de l’entraînement risquent de s’échauffer jusqu’à des températures > 140 °F.

- ▶ **Après avoir effectué une randonnée à vélo, veillez à ce que vos mains et vos jambes n’entrent pas en contact avec le boîtier de la Drive Unit.** Celui-ci peut s’échauffer fortement dans les conditions d’utilisation extrêmes, notam-

ment en cas de conduite permanente à faible vitesse avec un couple élevé, lors de l'ascension de cols en montagne ou de transport de charges lourdes. Tout contact avec des composants chauds peut causer des brûlures.

Les facteurs influant sur l'échauffement du boîtier de la Drive Unit sont les suivants :

- Température ambiante
- Profil du parcours (itinéraire/dénivelé)
- Durée du parcours
- Modes d'assistance utilisés
- Comportement de conduite (effort personnel)
- Poids total (pilote, VAE, bagages)
- Présence d'un couvre-moteur sur la Drive Unit
- Propriétés de dissipation thermique du cadre du VAE
- Type de Drive Unit et type de système de changement de vitesses

- ▶ **Utilisez uniquement des batteries de VAE Bosch de la génération the smart system (le système intelligent) qui sont agréées par le fabricant pour votre VAE.** L'utilisation d'autres batteries de VAE peut conduire à des blessures et expose à un risque d'incendie. Bosch décline toute responsabilité en cas d'utilisation de batteries de VAE d'autres marques.

Consignes de sécurité pour l'aimant de jante

Les consignes de sécurité suivantes doivent être respectées lors de la manipulation de l'aimant de jante :

- ▶ **Attention champ électromagnétique très intense : L'aimant de jante génère un champ électromagnétique très intense qui peut altérer le contenu de supports de données magnétiques (p. ex. carte de crédit) et le fonctionnement d'appareils électroniques (p. ex. montre). Il y a risque de perte de données et d'endommagement des appareils.** N'approchez pas l'aimant trop près de supports magnétiques et appareils sensibles aux champs électromagnétiques.
- ▶ **Attention risque de blessure aux mains par les objets attirés par l'aimant : il y a risque de blessure quand vos doigts ou votre main se re-**

trouvent coincés entre l'aimant et les objets qu'il a attirés. Il peut en résulter des blessures de la peau (p. ex. par des copeaux métalliques attirés par l'aimant), des pincements, ecchymoses, contusions ou fractures. Pour écarter ces risques, soyez vigilant et portez des équipements de protection appropriés.

- ▶ **Danger pour les personnes porteuses d'implants et d'autres appareils médicaux tels que des stimulateurs cardiaques, défibrillateurs ou pompe à insuline : elles ne doivent pas s'approcher trop près de l'aimant de jante.**

- L'aimant génère un champ magnétique susceptible d'altérer le fonctionnement d'implants et d'appareils médicaux.
- Pour écarter tout risque, n'approchez pas l'aimant de jante de votre poitrine.
- Respectez une distance de 30 cm par rapport à la cage thoracique.

- ▶ **Respectez toutes les réglementations nationales relatives à l'homologation et l'utilisation de vélos électriques.**

- ▶ **Veillez observer toutes les réglementations locales, nationales et fédérales en vigueur lors de l'enregistrement et de l'utilisation des vélos électriques.**

Remarque relative à la protection des données

Lors du raccordement du VAE au **Bosch Diagnostic-Tool 3** ou du remplacement de composants du système eBike, des informations techniques sur votre VAE (p. ex. fabricant, modèle, ID du vélo, données de configuration) et sur son utilisation (p. ex. durée de roulage totale, consommation d'énergie, température) sont transmises à Bosch eBike Systems (Robert Bosch GmbH) pour pouvoir traiter votre demande (demande de service notamment) et à des fins d'amélioration du produit. Pour en savoir plus sur le traitement des données, rendez-vous sur www.bosch-ebike.com/privacy-full.

Description des prestations et du produit

Utilisation conforme

La Drive Unit de la génération système **the smart system (le système intelligent)** est uniquement destinée à l'entraînement de votre vélo électrique. Toute autre utilisation est interdite.

Nous nous réservons le droit d'apporter à tout moment des modifications au logiciel pour corriger des erreurs ou pour modifier les fonctionnalités décrites dans la présente notice.

Caractéristiques techniques

Drive Unit	Drive Unit Performance Line CX/Speed	
Code produit		BDU3840 BDU3880
Puissance nominale continue	W	250
Couple maxi de la Drive Unit	Nm	85
Tension nominale	V	36
Températures de fonctionnement	°F	23 ... 104
Températures de stockage	°F	50 ... 104
Indice de protection		IP55
Poids (approx.)	lbs	6,2

Bosch eBike Systems utilise FreeRTOS (voir www.freertos.org).

Éclairage du vélo^{A)}

Tension approx.	V	12
Puissance maximale	W	18

A) Pas possible dans tous les pays via la batterie du vélo électrique, selon la législation en vigueur

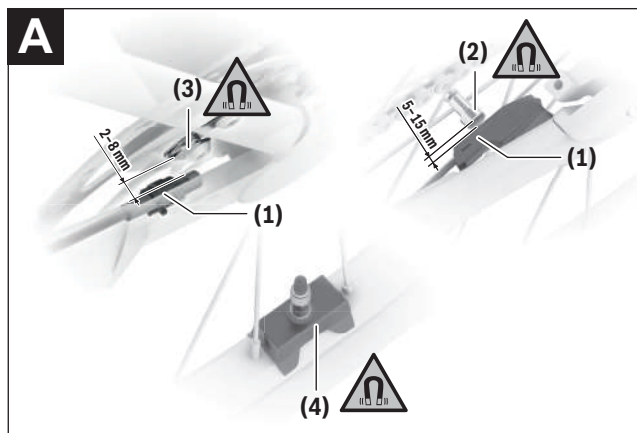
Les ampoules inappropriées risquent d'être détruites !

Indications sur le niveau sonore de la Drive Unit

Le niveau sonore (avec pondération A) de la Drive Unit est < à 70 dB(A) en cas d'utilisation normale. Dans le cadre du service **<eBike Alarm>**, la Drive Unit génère une tonalité d'alarme quand le vélo électrique est bougé sans autorisation. Le niveau sonore de cette alarme peut dépasser le seuil d'émission sonore de 70 dB(A) : il est de 80 dB(A) à 2 m de distance de la Drive Unit. L'alarme sonore n'est disponible qu'après activation du service **<eBike Alarm>**. Elle peut être désactivée dans l'application **eBike Flow**.

Montage

Contrôle du capteur de vitesse (voir figure A)



- (1) Capteur de vitesse^{a)}
- (2) Aimant de rayon
- (3) Aimant CenterLock^{b)}
- (4) Aimant de jante (rim magnet)

- a) forme de capteur différente et position de montage différente possibles
- b) position de montage différente possible

Speedsensor (slim)

Le capteur de vitesse (1) et son aimant CenterLock (3) ou son capteur de rayon (2) sont montés en usine de façon à ce que l'aimant se trouve à une distance de 2 à 15 mm du capteur de vitesse lorsqu'il passe devant ce dernier quand la roue tourne.

Lorsque des modifications sont apportées à la construction, il convient de faire en sorte que la distance correcte entre aimant et capteur de vitesse soit respectée (voir figure A).

Remarque : Veillez lors de la dépose et la repose de la roue arrière à ne pas endommager le capteur ou son support.

Lorsque vous changez de roue, veillez à ce que les câbles des capteurs soient acheminés sans tension ni pliure.

L'aimant CenterLock (3) ne peut être retiré et réinséré que 5 fois au maximum.

Aimant de jante

Remarque : Veillez à ne pas modifier l'orientation de l'aimant de jante par rapport à la jante (voir figure A). Quand un aimant de jante est installé, aucun capteur n'est nécessaire pour détecter une rotation de la roue. La Drive Unit détecte elle-même la présence de l'aimant à proximité et calcule la vitesse ainsi que toutes les autres données requises à partir de la fréquence d'apparition du champ magnétique. La Drive Unit étant sensible aux champs magnétiques, veuillez éviter la présence d'autres champs magnétiques (p.ex. pédales magnétiques, cadencemètres magnétiques, outils magnétiques ou magnétisés, etc.) à proximité de la Drive Unit.

Fonctionnement

Pour la mise en service du vélo à assistance électrique, une commande déportée de la génération **the smart system (le système intelligent)** est requise. Observez la notice d'utilisation de la commande déportée et des autres composants de la génération **the smart system (le système intelligent)** montés sur le vélo.

Informations sur la conduite avec votre vélo électrique

Remarque : Dans le cas des unités d'entraînement caractérisées par une vitesse maximale supérieure à **20 mph**, le système eBike démarre **toujours** dans le mode **OFF**.

Quand l'assistance électrique fonctionne-t-elle ?

L'assistance électrique vous aide à avancer tant que vous pédalez. Il n'y a pas d'assistance quand vous ne pédalez pas. La puissance d'entraînement dépend toujours de l'effort exercé sur les pédales et de la fréquence de pédalage.

Plus vous appuyez sur les pédales et plus la fréquence de pédalage est importante, plus l'assistance électrique est élevée. Cela vaut pour tous les modes d'assistance.

L'assistance électrique s'arrête automatiquement dès que la vitesse de roulage atteint **20/28 mph**. L'assistance électrique se réactive automatiquement dès que la vitesse de roulage redescend en dessous de **20/28 mph**.

L'assistance à la poussée constitue une exception : elle permet de pousser le vélo électrique à faible vitesse sans avoir à pédaler. Lors de l'utilisation de l'assistance à la poussée, les pédales peuvent être entraînées et se mettre à tourner d'elles-mêmes.

Vous pouvez à tout moment utiliser le vélo électrique comme un vélo classique sans assistance. Il vous suffit pour cela d'éteindre le VAE ou de placer le sélecteur de modes d'assistance sur **OFF**. Il en va de même quand la batterie du VAE est vide.

Interaction entre la Drive Unit et le système de changement de vitesses

Vous devez avec un VAE changer de vitesses de la même façon qu'avec un vélo normal (consultez la notice d'utilisation de votre vélo électrique).

Quel que soit le type de système de changement de vitesses dont dispose le VAE, il est recommandé de réduire brièvement la pression exercée sur les pédales pendant que vous changez de vitesse. Cela facilite le changement de vitesse et réduit l'usure du mécanisme d'entraînement.

En choisissant la vitesse appropriée, vous pouvez, à effort égal, rouler plus vite et bénéficier d'une plus grande autonomie.

Faire les premières expériences

Il est recommandé de s'initier à l'utilisation du vélo électrique à l'écart de rues très fréquentées.

Essayez les différents modes d'assistance. Commencez par le mode avec le niveau d'assistance le plus faible. Dès que vous vous sentirez à l'aise et sûr de vous, vous pourrez circuler sur les routes comme avec tout autre vélo.

Testez l'autonomie de votre vélo électrique dans différentes conditions avant de planifier des trajets longs et exigeants.

Facteurs influant sur l'autonomie

Du fait que l'autonomie dépend de nombreux facteurs, il n'est pas possible de prédire avec exactitude l'autonomie avant et pendant un trajet.

Indiquez les facteurs dans l'assistant d'autonomie pour mieux évaluer leurs effets sur l'autonomie.



Scannez le code ci-contre pour ouvrir l'assistant d'autonomie.

Entretien/nettoyage

⚠ AVERTISSEMENT

- ▶ **N'ouvrez aucun élément. L'entretien doit uniquement être effectué par un revendeur eBike Bosch autorisé.** Le fait de ne pas respecter l'avertissement ci-dessus peut entraîner des blessures graves ou mortelles. Reportez-vous au manuel de votre vélo ou au manuel de l'élément pour tous les éléments ne faisant pas partie du système d'entraînement Bosch.
- ▶ **Retirez toujours l'accu avant d'inspecter un vélo, de procéder à son entretien ou à sa réparation.** Le fait de ne pas retirer l'accu avant d'inspecter un vélo, de procéder à son entretien ou à sa réparation peut entraîner des blessures graves.
- ▶ **Si vous suspectez une défaillance, n'utilisez pas votre vélo.** Consultez votre revendeur eBike Bosch, seul un revendeur qualifié doit intervenir sur votre système d'entraînement Bosch. Tous les écrous, les boulons et les vis requièrent une force de serrage correcte. Une force de serrage trop faible ne permet pas la fixation sécurisée des composants. Une force de serrage excessive risque au contraire de briser les filets, et d'étendre, de déformer ou de casser les éléments de fixation. D'une manière ou d'une autre, une force de serrage incorrecte peut entraîner une défaillance de l'élément, ce qui peut vous faire perdre le contrôle de votre vélo et vous faire tomber.
- ▶ **Si vous remplacez votre batterie, achetez uniquement un accu Bosch d'origine auprès d'une source fiable et approuvée. Contactez votre revendeur eBike Bosch pour les pièces Bosch d'origine.**
- ▶ **Arrêtez toujours l'accu lorsque vous le montez ou le retirez de son support.** Ne tentez jamais de monter ni de retirer l'accu lorsque vous roulez à vélo.
- ▶ **Ne rechargez pas et n'utilisez pas votre eBike dans une zone présentant une atmosphère po-**

tentiellement explosive, par exemple dans une station-service ou dans des zones dans lesquelles l'air contient des produits chimiques ou des particules (telles que des grains, de la poussière ou des poudres métalliques). Respectez tous les panneaux et toutes les instructions.

- ▶ **Ne plongez pas vos composants eBike dans l'eau et ne les lavez pas avec un pulvérisateur haute pression.** Votre unité d'entraînement Bosch est conçue pour être étanche à l'eau de pluie ou à un tuyau d'arrosage sans pression.
- ▶ **Notez le nom du fabricant et le numéro de la clé.** Si vous perdez les clés, contactez un revendeur eBike Bosch autorisé. Veuillez fournir le nom du fabricant et le numéro de la clé.
- ▶ **N'appliquez pas de produit de nettoyage, de peinture ou de produits chimiques sur les composants du système d'entraînement Bosch pour éviter toute défaillance prématurée et préserver ainsi leur durée de vie.**

Lors du changement d'ampoules, veillez à ce que les nouvelles ampoules soient compatibles avec le système eBike Bosch de la génération **the smart system (le système intelligent)** (demandez à votre revendeur) et à ce qu'elles correspondent à la tension indiquée. Ne remplacez des ampoules défectueuses que par des ampoules de même tension.

Tous les composants de la Drive Unit et tous les autres composants du système d'entraînement du vélo électrique (plateau, fixation du plateau, pédalier, etc.) ne doivent être remplacés que par des composants identiques ou autorisés par le fabricant de vélos. Ceci permet de protéger la Drive Unit d'une surcharge et de dommages éventuels.

Veillez à ce que la Drive Unit reste propre et évitez tout contact avec des substances agressives et des carburants (gazole, etc.). Nettoyez la Drive Unit avec précaution.

Nettoyage

► **Ne plongez pas vos composants eBike dans l'eau et ne les lavez pas avec un pulvérisateur haute pression.** Votre unité d'entraînement Bosch est conçue pour être étanche à l'eau de pluie ou à un tuyau d'arrosage sans pression.

Maintenez tous les éléments de votre vélo électrique propres, surtout les contacts de l'accu et les supports

de fixation. Ne plongez pas dans l'eau les éléments, y compris l'unité de l'entraînement et ne les nettoyez pas à l'aide d'un nettoyeur haute pression. Nettoyez-les soigneusement à l'aide d'un chiffon doux et humide (en utilisant uniquement du savon doux et de l'eau).

Entretien du système eBike

Respectez les températures de fonctionnement et de stockage des composants du système d'assistance électrique. Protégez la Drive Unit, l'ordinateur de bord et la batterie du VAE des températures extrêmes (par exemple d'une exposition intense aux rayons du soleil en l'absence d'aération). Les composants (surtout la batterie du VAE) peuvent être endommagés lorsqu'ils sont exposés à des températures extrêmes.

Faites contrôler l'état de votre vélo électrique au moins une fois par an (partie mécanique, version du logiciel système, etc.).

Pour le service après-vente ou les réparations sur votre vélo électrique, adressez-vous à un vélociste agréé.

Service après-vente et conseil utilisateurs

Pour toutes les questions concernant votre vélo électrique et ses éléments, adressez-vous à un vélociste agréé.

Vous trouverez les données de contact de vélocistes agréés sur le site internet www.bosch-ebike.com.



Vous trouverez d'autres informations sur les composants VAE et leurs fonctions dans le Bosch eBike Help Center.

Élimination des déchets



La Drive Unit, l'ordinateur de bord, la commande déportée, la batterie VAE, le capteur de vitesse, les accessoires et

l'emballage doivent être rapportés à un centre de recyclage respectueux de l'environnement.

Ne jetez pas les systèmes eBike et leurs éléments constitutifs dans les ordures ménagères !

Rapportez les composants hors d'usage des systèmes eBike Bosch chez un vélociste agréé ou dans une déchetterie.

Sous réserve de modifications.

Índice

Introducción	2
Acerca de las advertencias	2
Advertencias generales	2
Utilización de sus Instrucciones de servicio	3
Operación de su unidad de accionamiento (Drive Unit) Bosch.....	4
Indicaciones de seguridad.....	4
Descripción del producto y servicio	6
Montaje.....	7
Operación	8
Mantenimiento/limpieza.....	9
Limpieza	10
Manejo cuidadoso de la eBike	10
Servicio técnico y atención al cliente	10
Eliminación.....	10

Introducción

Algunos contenidos se publican bajo licencia de **PeopleForBikes Coalition, LTD.**

Acerca de las advertencias

Este manual contiene muchos **PELIGROS, ADVERTENCIAS**, y **PRECAUCIONES** sobre las consecuencias de una falta de uso, montaje, mantenimiento, almacenamiento, inspección y eliminación de una eBike equipada por Bosch de modo seguro.

- La combinación del símbolo de alerta de seguridad y la palabra **PELIGRO** indica una situación peligrosa que, si no se evita, ocasionará la muerte o lesiones graves.

- La combinación del símbolo de alerta de seguridad y la palabra **ADVERTENCIA** indica una situación peligrosa que, si no se evita, podría provocar la muerte o lesiones graves.
- La combinación del símbolo de alerta de seguridad y la palabra **PRECAUCIÓN** indica una situación peligrosa que, si no se evita, podría ocasionar lesiones leves o moderadas.

Advertencias generales



Lea todas las advertencias de seguridad y todas las instrucciones. El incumplimiento de las advertencias e instrucciones puede provocar la muerte, daños materiales o lesiones graves.

Guarde todas las indicaciones de seguridad e instrucciones para posibles consultas futuras.

El término **Acumulador para eBike** utilizado en estas instrucciones de servicio se refiere a todos los acumuladores originales para eBike de Bosch de la generación del sistema **the smart system (el smart system)**.

- **Lea TODOS los manuales incluidos antes de montar en la bicicleta por primera vez.** Su sistema de accionamiento de Bosch incluye manuales y documentación adicionales proporcionados por el fabricante de la bicicleta y de otros componentes. No leer o desconocer la información de seguridad puede provocar la muerte o lesiones graves.

ADVERTENCIA

- **Este manual contiene información importante de seguridad, rendimiento y mantenimiento.** Léalo antes de usar su nueva bicicleta y guárdelo a

modo de referencia. Puede encontrar el manual también en línea en www.bosch-ebike.com.

- **Este manual está previsto para su lectura junto con el manual de usuario aparte que venía con su bicicleta.** Antes de usar la bici por primera vez, asegúrese de leer toda la documentación facilitada, incluidas las etiquetas que lleva el producto.
- **Por su propia SEGURIDAD, sea responsable.** Si tiene dudas o no entiende algo, consúltelo con su distribuidor o con el fabricante de la bicicleta o del componente.
- **Algunos accesorios de la eBike pueden suponer un peligro de atragantamiento para los niños pequeños.** Mantenga esos accesorios alejados de los niños.

PRECAUCIÓN

- **El sistema de accionamiento de Bosch incrementa el peso de su bicicleta, que puede que no esté acostumbrado a levantar.** Evite las lesiones; utilice técnicas de elevación adecuadas.

Utilización de sus Instrucciones de servicio

Además de las funciones aquí representadas, puede ser que se introduzcan en cualquier momento modificaciones de software para la eliminación de errores y modificaciones de funciones.

Gráficos

La bicicleta que se muestra en este manual puede diferir ligeramente de la suya; no obstante, las similitudes son suficientes para ayudarle a entender nuestras instrucciones.

Los lados DERECHO e IZQUIERDO se indican mirando en el sentido que la bicicleta tendrá al circular hacia delante. Si ve una línea discontinua (-----), el elemento al que se refiere está oculto a la vista.

Operación de su unidad de accionamiento (Drive Unit) Bosch

Indicaciones de seguridad



Lea y conozca todas las indicaciones de seguridad y las instrucciones. No seguir las advertencias siguientes puede provocar la muerte o lesiones graves.

Guarde todas las indicaciones de seguridad e instrucciones para posibles consultas futuras.

El término **Acumulador para eBike** utilizado en estas instrucciones de servicio se refiere a todos los acumuladores originales para eBike de Bosch de la generación del sistema **the smart system (el smart system)**.

Los términos **Accionamiento** y **Unidad de accionamiento** utilizados en estas instrucciones de servicio se refieren a todas las unidades de accionamiento originales Bosch de la generación del sistema **the smart system (el smart system)**.

- ▶ **Lea y siga todas las indicaciones de seguridad e instrucciones de todas las instrucciones de servicio de los componentes de la eBike, así como las instrucciones de servicio de su eBike.**
- ▶ **Se recomienda que revise periódicamente esta información para asegurarse de que sigue todas las recomendaciones para el uso seguro de este producto.**
- ▶ **No realice ningún tipo de modificación en la unidad. No utilice ningún producto para aumentar el rendimiento y/o la velocidad máxima de la eBike.** La modificación de una eBike para aumentar su rendimiento o velocidad puede ser ilegal y puede provocar el fallo de componentes o la pérdida de control, lo que puede provocar una colisión con resultado de lesiones graves o muerte. Una eBike modificada puede dejar de estar homologada como eBike, lo que expone al operador a un riesgo de responsabilidad personal y de enjuiciamiento penal en caso de accidente. Además, de este modo se redu-

ce por lo general la vida útil de los componentes de la eBike. La unidad de accionamiento y la eBike pueden resultar dañadas y, en consecuencia, pueden anularse los derechos de garantía de la eBike adquirida.

- ▶ **No abra la unidad de accionamiento. La reparación de la unidad de accionamiento sólo debe realizarse con piezas de repuesto originales y únicamente por un distribuidor de bicicletas autorizado.** De este modo se garantiza que el uso de la eBike siga siendo seguro. La apertura no autorizada de la unidad de accionamiento puede anular los derechos de garantía.
- ▶ **Retire la batería de la eBike antes de iniciar cualquier trabajo (por ejemplo: inspección, reparación, montaje, mantenimiento, trabajos en la cadena, etc.) en la eBike. En el caso de las baterías de la eBike instaladas permanentemente, preste especial atención a que la eBike no pueda encenderse.** Existe peligro de lesiones si se activa involuntariamente la eBike.
- ▶ **La eBike se puede encender si empuja la eBike hacia atrás o gira los pedales hacia atrás.**
- ▶ **Usted mismo no puede extraer las baterías de la eBike instaladas permanentemente. Encargue el montaje y desmontaje de las baterías de la eBike instaladas permanentemente al distribuidor autorizado.**



En condiciones extremas como, por ejemplo, alta carga continuada a baja velocidad en trayectos de montaña o carga, en partes del accionamiento pueden darse temperaturas > 140 °F.

- ▶ **Después de conducir, no permita que sus manos o piernas desprotegidas entren en contacto con**

la carcasa de la unidad de accionamiento. En condiciones extremas, como pases continuamente elevados a bajas velocidades de desplazamiento, o al subir cuestas o transportar cargas, pueden alcanzarse temperaturas muy elevadas en la carcasa. El contacto con componentes calientes puede provocar quemaduras.

Las temperaturas que pueden alcanzarse en la carcasa de la unidad de accionamiento están influenciadas por los siguientes factores:

- Temperatura ambiente
- Perfil de conducción (ruta/pendiente)
- Duración de la conducción
- Modos de conducción
- Comportamiento del usuario (esfuerzo personal)
- Peso total (ciclista, eBike, equipaje)
- Cubierta del motor en la unidad de accionamiento
- Propiedades de disipación térmica del bastidor de la bicicleta
- Tipo de unidad de accionamiento y tipo de cambio de marchas

- ▶ **Utilice exclusivamente baterías originales Bosch para eBike de la generación de sistemas the smart system (el smart system) autorizada por el fabricante para su eBike.** El uso de otras baterías de eBike puede provocar lesiones e implicar un riesgo de incendio. Bosch no asume ninguna responsabilidad si se utilizan otras baterías de eBike.

Indicaciones de seguridad para el imán de la llanta

Deben respetarse las siguientes indicaciones de seguridad al manejar el imán de la llanta:

- ▶ **Advertencia de campos magnéticos muy fuertes: El imán de la llanta genera un campo magnético muy fuerte que puede afectar a los soportes de memoria magnéticos (p. ej. tarjetas de crédito) y a los aparatos electrónicos (p. ej. relojes). Existe un riesgo de pérdidas de datos y de daños en los aparatos.** No lleve medios y aparatos sus-

ceptibles a los campos magnéticos en las inmediaciones del imán de la llanta.

- ▶ **Advertencia de lesiones en las manos debido a las piezas atraídas por el imán: Existe el riesgo de lesionarse, si sus dedos o su mano quedan atrapados entre el imán y los objetos atraídos por él. Pueden producirse lesiones en la piel (p. ej. cuando se atraen virutas de metal), hematomas, contusiones o fracturas.** Puede evitarlo prestando atención y utilizando la ropa de protección adecuada.
- ▶ **Peligro para personas con implantes y otros aparatos médicos, como marcapasos, desfibriladores o bombas de insulina: No deben acercarse al imán de la llanta.**
 - El imán genera un campo que puede afectar al funcionamiento de los implantes y los aparatos médicos.
 - Para evitar efectos adversos, el imán de la llanta no debe sostenerse directamente frente al pecho.
 - Se debe mantener una distancia mínima de 30 cm con respecto al pecho.
- ▶ **Observe todas las prescripciones nacionales para la matriculación y la utilización de eBikes.**
- ▶ **Siga todos los reglamentos locales, estatales y federales cuando registre y use eBikes.**

Indicación de protección de datos

Al conectar la eBike a **Bosch DiagnosticTool 3** o sustituir componentes de la eBike, se transmite a Bosch eBike Systems (Robert Bosch GmbH) información técnica sobre su eBike (p.ej., fabricante, modelo, ID de la bicicleta, datos de configuración), así como sobre el uso de la eBike (p.ej., tiempo total de uso, consumo de energía, temperatura) para tramitar su solicitud, en caso de servicio técnico y con fines de mejora del producto. Más información sobre el procesamiento de datos se encuentran en www.bosch-ebike.com/privacy-full.

Descripción del producto y servicio

Utilización reglamentaria

La unidad de accionamiento de Bosch de la generación del sistema **the smart system (el smart system)** está destinada únicamente al accionamiento de su eBike y no debe utilizarse para otros fines.

Además de las funciones aquí representadas, puede ser que se introduzcan en cualquier momento modificaciones de software para la eliminación de errores y modificaciones de funciones.

Datos técnicos

Unidad de accionamiento	Drive Unit Performance Line CX/Speed	
Código de producto		BDU3840 BDU3880
Potencia nominal continua	W	250
Par de giro máx. del accionamiento	Nm	85
Tensión nominal	V	36
Temperatura de funcionamiento	°F	23 ... 104
Temperatura de almacenamiento	°F	50 ... 104
Grado de protección		IP55
Peso, aprox.	lbs	6,2

El sistema eBike de Bosch utiliza FreeRTOS (ver www.freertos.org).

Iluminación de la bicicleta^{A)}

Tensión aprox.	V	12
Máxima potencia	W	18

A) dependiente de las regulaciones legales, no es posible en todas las ejecuciones específicas de cada país por el acumulador de la eBike

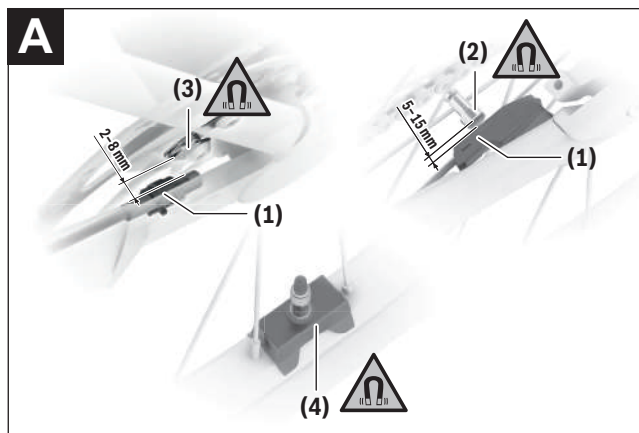
Cualquier otra lámpara podría quedar inutilizada.

Indicaciones sobre la emisión de ruidos de la unidad de accionamiento

El nivel sonoro de emisión ponderado con A de la unidad de accionamiento es de < 70 dB(A) en funcionamiento normal. Si la eBike se mueve sin autorización, la unidad de accionamiento genera un tono de alarma como parte del servicio **<eBike Alarm>**. Este tono de alarma puede superar el nivel sonoro de emisión de 70 dB(A) y es de 80 dB(A) a 2 m de distancia de la unidad de accionamiento. El tono de alarma solo está disponible después de activar el servicio **<eBike Alarm>** y se puede volver a desactivar a través de la aplicación **eBike Flow**.

Montaje

Comprobar el sensor de velocidad (ver figura A)



- (1) Sensor de velocidad^{a)}
- (2) Imán para rayos
- (3) Imán CenterLock^{b)}
- (4) Imán para la llanta (rim magnet)

a) posible diferente forma de sensor y posición de montaje

b) posible diferente posición de montaje

Speedsensor (slim)

El sensor de velocidad (1) y el correspondiente imán CenterLock (3) o imán de radios (2) están montados de fábrica de tal modo, que el imán pasa a una distancia de al menos 2 mm y no más de 15 mm del sensor de velocidad en una rotación de la rueda.

En el caso de modificaciones constructivas, debe mantenerse la distancia correcta entre el imán y el sensor (véase la figura A).

Indicación: Al montar y desmontar la rueda trasera, tenga cuidado de no dañar el sensor o el soporte del sensor.

Al cambiar la rueda, asegúrese de que los cables de los sensores estén colocados sin tensión ni torceduras.

El imán CenterLock (3) solo se puede quitar y volver a poner hasta 5 veces.

Imán de llanta

Indicación: La alineación del imán de la llanta con la llanta no debe modificarse (ver figura A).

En caso de que exista un imán de llanta instalado, no es necesario ningún sensor para detectar una rotación de la rueda. La propia unidad de accionamiento detecta cuando el imán está en sus proximidades y calcula la velocidad y todos los demás datos necesarios a partir de la frecuencia de aparición del campo magnético.

Dado que la unidad de accionamiento es sensible a los campos magnéticos, evite otros campos magnéticos en las proximidades de la unidad de accionamiento (p. ej. pedales automáticos magnéticos, medidores de frecuencia de pedaleo magnéticos o herramientas magnetizadas etc.) para no perturbar la unidad de accionamiento.

Operación

Para poner en marcha la eBike, se necesita una unidad de mando de la generación del sistema **the smart system (el smart system)**. Consulte las instrucciones de servicio de la unidad de mando y, en caso necesario, de otros componentes de la generación del sistema **the smart system (el smart system)**.

Información sobre la conducción de su eBike

Indicación: Para las unidades motrices con una velocidad máxima superior a **20 mph**, el sistema eBike arranca **siempre** en el modo **OFF**.

¿Cuándo funciona el accionamiento?

El accionamiento le asiste siempre que usted vaya pedaleando. La asistencia cesa cuando deja de pedalear. La potencia de accionamiento depende siempre de la fuerza aplicada al pedalear y la frecuencia de pedaleo.

A baja potencia o frecuencia de pedaleo, la asistencia será menor que a alta potencia o frecuencia de pedaleo. Ello es independiente del modo de conducción.

El accionamiento se desconecta automáticamente a velocidades superiores a **20/28 mph**. Si la velocidad cae por debajo de **20/28 mph**, el accionamiento vuelve a estar disponible automáticamente.

Existe una excepción para la función de asistencia de empuje, en la que la eBike puede desplazarse a poca velocidad sin necesidad de pedalear. Los pedales pueden girar cuando se utiliza el pedaleo asistido.

La eBike se puede utilizar también sin asistencia como una bicicleta normal, ya sea desconectando la eBike o posicionando el modo de conducción en **OFF**.

Lo mismo aplica con una batería de eBike descargada.

Funcionamiento combinado de la unidad de accionamiento con el cambio de marchas

También en una eBike, el cambio deberá utilizarse igual que en una bicicleta convencional (consulte al respecto las instrucciones de servicio de su eBike).

Independientemente del tipo de cambio empleado, es recomendable reducir brevemente la presión sobre los pedales durante el proceso de cambio de marcha. Ello no sólo facilita el cambio de marcha, sino que también reduce el desgaste del mecanismo de accionamiento.

Seleccionando la marcha correcta, usted puede aumentar la velocidad y el alcance aplicando la misma fuerza muscular.

Acumulación de experiencia

Se recomienda recolectar las primeras experiencias con la eBike lejos de las carreteras más transitadas. Pruebe diferentes modos de conducción. Comience con un modo de conducción con el nivel de asistencia más bajo. Cuando se sienta seguro, podrá incorporarse al tráfico con la eBike del mismo modo que con cualquier bicicleta convencional.

Pruebe la autonomía de su eBike bajo diferentes condiciones antes de planificar viajes más largos y desafiantes.

Influencias sobre la autonomía

No es posible calcular la autonomía exacta antes y durante un viaje, ya que en la autonomía influyen muchos factores.

Introduzca los factores en el asistente de autonomía para poder estimar mejor los efectos sobre la autonomía.



Escanee el código especificado para llamar al asistente de autonomía.

Mantenimiento/limpieza

⚠ ADVERTENCIA

- ▶ **No abra ninguno de los componentes. El mantenimiento debe llevarse a cabo exclusivamente por parte de un distribuidor de eBike de Bosch autorizado.** El incumplimiento de la advertencia anterior puede causar la muerte o lesiones graves. Consulte su manual de la bicicleta o de aquellos componentes del sistema de accionamiento que no sean de Bosch.
- ▶ **Retire siempre la batería antes de realizar cualquier inspección, reparación o trabajo de mantenimiento en la bicicleta.** No retirar la batería antes de realizar cualquier inspección, reparación o trabajo de mantenimiento en la bicicleta puede causar la muerte o lesiones graves.
- ▶ **Si cree que hay algo suelto, no utilice la bicicleta.** Consulte a su distribuidor de eBike de Bosch; solo un proveedor de servicios cualificado puede efectuar trabajos en su sistema de accionamiento de Bosch. Las tuercas, los pernos y los tornillos necesitan la fuerza de apriete correcta. Con una fuerza menor de la necesaria, el cierre podría no estar bien sujeto. Con una fuerza excesiva, el cierre puede estropear las roscas, forzarse, deformarse o romperse. En todo caso, una fuerza de apriete incorrecta puede provocar un fallo en los componentes, lo que le puede hacer perder el control y caer.
- ▶ **Si cambia la batería, adquiera únicamente baterías originales de Bosch en un punto de venta autorizado. Diríjase a su distribuidor de eBike de Bosch para adquirir recambios originales.**
- ▶ **Desconecte siempre la batería cuando la introduzca o extraiga del soporte.** Nunca intente introducir ni extraer la batería con la bicicleta en marcha.
- ▶ **No cargue ni utilice la eBike en lugares con una atmósfera potencialmente explosiva, como gasolineras, ni en zonas en las que el aire contenga productos químicos o partículas (como semillas,**

polvo o polvo de metales). Obedezca todas las señales e instrucciones.

- ▶ **No sumerja los componentes eBike en el agua ni los limpie con una manguera a presión.** El accionamiento de Bosch está diseñado para ser impermeable al agua de lluvia o a una limpieza con manguera sin presión.
- ▶ **Apunte el fabricante y el número de la llave.** Si pierde las llaves, diríjase a un distribuidor de eBike de Bosch autorizado. Facilite el nombre del fabricante y el número de la llave.
- ▶ **No aplique productos de limpieza, pintura o productos químicos a ningún componente del sistema de accionamiento Bosch, ya que pueden provocar un fallo prematuro del componente.**

Al cambiar las luces, asegúrese de que las lámparas sean compatibles con el sistema eBike de Bosch de la generación **the smart system (el smart system)** (pregunte en su establecimiento especializado) y la tensión especificada coincida. Las lámparas solo pueden cambiarse por otras de la misma tensión.

Todos los componentes montados en la unidad de accionamiento y todos los demás componentes del accionamiento (p. ej. plato, portaplatos, pedales, manivelas) solamente deberán sustituirse por componentes de construcción idéntica o por componentes especialmente homologados por el fabricante de su eBike. Con ello se evita una sobrecarga o deterioro de la unidad de accionamiento.

Mantenga limpia la unidad de accionamiento y evite el contacto con sustancias y combustibles agresivos, como p. ej. el diésel. Limpie cuidadosamente la unidad de accionamiento.

Limpieza

- **No sumerja los componentes eBike en el agua ni los limpie con una manguera a presión.** El accionamiento de Bosch está diseñado para ser impermeable al agua de lluvia o a una limpieza con manguera sin presión.

Mantenga limpios los componentes de su eBike, especialmente los contactos del acumulador y del respectivo soporte. Todos los componentes inclusive la unidad motriz no deberán sumergirse en agua ni tratarse con una limpiadora de alta presión. Límpielos con un paño suave y húmedo (utilice únicamente jabón neutro y agua).

Manejo cuidadoso de la eBike

Observe la temperatura de funcionamiento y almacenamiento de los componentes de la eBike. Proteja la unidad de accionamiento, el ordenador de a bordo y la batería de la eBike de temperaturas extremas (p. ej. debido a una irradiación solar intensa sin ventilación simultánea). Las temperaturas extremas pueden

dañar los componentes (especialmente las baterías de la eBike).

Deje revisar su eBike al menos una vez al año (el sistema mecánico, la actualidad y el software del sistema, entre otros).

Para el servicio o las reparaciones de la eBike, contáctese con un distribuidor de bicicletas autorizado.

Servicio técnico y atención al cliente

En caso de cualquier consulta sobre la eBike y sus componentes, diríjase a un distribuidor de bicicletas autorizado.

Los detalles de contacto de los distribuidores de bicicletas autorizados se pueden encontrar en el sitio web www.bosch-ebike.com.



Informaciones adicionales sobre los componentes de la eBike y sus funciones se encuentran en el Bosch eBike Help Center.

Eliminación



La unidad de accionamiento, el ordenador de a bordo incl. el cuadro de mandos, el acumulador para eBike, el sensor de ve-

locidad, los accesorios y los embalajes deben reciclarse de forma respetuosa con el medio ambiente.

¡No arroje eBikes y sus componentes a la basura!

Le rogamos que entregue gratuitamente los componentes de eBikes de Bosch inservibles a un distribuidor de bicicletas autorizado o a un centro de reciclaje.

Reservado el derecho de modificación.