

Cette notice contient d'importantes informations sur la sécurité, les performances et l'entretien. Lisez-les et comprenez-les ainsi que les informations fournies par le fabricant de votre vélo avant d'utiliser le produit, et conservez-les pour référence ultérieure.

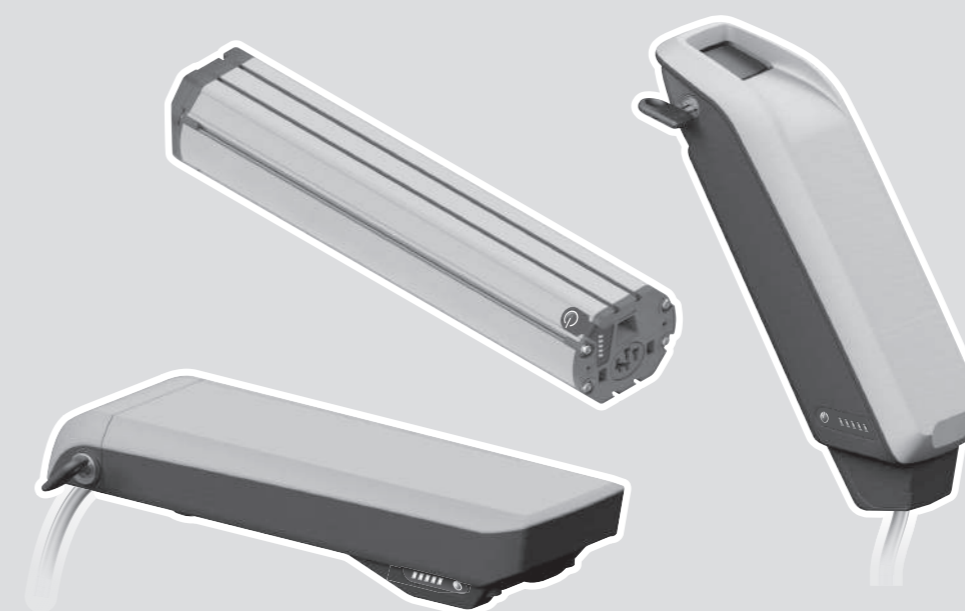
Owner's Manual Battery

BBS266 | BBS276 | BBR266 | BBR276 | BBP285 | BBP286 |
BBP287 | BBP288 | BBP295 | BBP296

Robert Bosch GmbH
72757 Reutlingen
Germany

www.bosch-ebike.com

0 275 U07 XPX (2024.03) T / 61



Este manual contiene información importante de seguridad, rendimiento y mantenimiento. Léalo y asegúrese de entenderlo junto con la información que le ha facilitado el fabricante de su bicicleta antes de usar el producto; guárdelo a modo de referencia.

en Original operating instructions
fr Notice d'utilisation d'origine
es Instrucciones de servicio originales

This manual contains important safety, performance and service information. Read and understand it along with the information provided to you by your bicycle manufacturer before using the product, and keep it for reference.



Table of Contents

Introduction	2
About Warnings	2
General Warnings	2
Using your Manual	3
On-product warning labels	4
Handling the lithium-ion battery pack	5
Safety warnings for Bosch eBike batteries	5
Product description and specifications	8
Fitting	11
Operation	15
Transport	16
Maintenance/cleaning	16
Storing	17
Troubleshooting	18
Battery Recycling Program	19

Introduction

Some content is published under license from the **PeopleForBikes Coalition, LTD.**

About Warnings

This manual contains many **DANGER**, **WARNING** and **CAUTION** indicators concerning the consequences of failure to use, assemble, maintain, store, inspect and dispose of a Bosch-equipped eBike in a safe manner.

- The combination of the safety alert symbol and the word **DANGER** indicates a hazardous situation that, if not avoided, will result in death or serious injury.
- The combination of the safety alert symbol and the word **WARNING** indicates a hazardous situation that, if not avoided, could result in death or serious injury.
- The combination of the safety alert symbol and the word **CAUTION** indicates a hazardous situation that, if not avoided, could result in minor or moderate injury.

General Warnings



Read all safety warnings and all instructions. Failure to follow the warnings and instructions may result in death, property damage or serious injury.

Save all safety warnings and instructions for future reference.

The term **eBike battery** used in these operating instructions refers to all original Bosch eBike batteries.

- ▶ **Read ALL accompanying manuals before riding the bike for the first time.** Your Bosch Drive System comes with additional manuals and documents provided by the manufacturer of the bicycle and other components. Failure to read and understand safety information can result in death or serious injury.

WARNING

- ▶ **This manual contains important safety, performance and service information.** Read it before you take the first ride on your new bicycle, and keep it for reference. The manual can also be found online at www.bosch-ebike.com.
- ▶ **This manual is intended to be read together with the separate user manual provided with your bi-**

cycle. Be sure to read all provided documents including labels on the product before your first ride.

- ▶ **Take responsibility for your own SAFETY.** If you have any questions or do not understand something, consult with your dealer or the bicycle or component manufacturer.
- ▶ **Some eBike accessories may present a choking hazard to small children.** Keep these accessories away from children.

CAUTION

- ▶ **The Bosch Drive System adds weight to your bicycle which you may not be used to lift.** Avoid injury, use proper lifting techniques.

Using your Manual

In addition to the functions outlined here, changes to software relating to troubleshooting and functional modifications may be introduced at any time.

Graphics

The bicycle shown in this manual may differ slightly from your bicycle, but will be similar enough to help you understand our instructions.

RIGHT-HAND and LEFT-HAND sides are determined by facing in the direction the bicycle will travel when going forward. When you see a broken line (-----), the item referred to is hidden from view.

On-product warning labels

A

⚠ WARNING To reduce the risk of injury, explosion, or fire, user must read instruction manual. • Do not crush, puncture, disassemble, short terminals, or dispose in fire. • Do not use battery once it has been impacted, sustained water damage or visibly damaged. • Charge battery only with Bosch eBike chargers. • Remove battery when using vehicle bike rack!

⚠ AVERTISSEMENT L'utilisateur doit lire le mode d'emploi pour réduire le risque de blessure, explosion ou d'incendie. • Ne pas écraser, perforer, démonter, court-circuiter les bornes ou jeter dans un feu. • Ne pas réutiliser la pile si elle a subi un choc, des dégâts causés par l'eau ou d'autres dommages visibles. • Ne charger la pile qu'avec un chargeur Bosch eBike. • Retirez la batterie avant le transport sur le porte-vélos.

⚠ 주의사항: 1.사용전 반드시 사용설명서를 읽어주시기 바랍니다.
2.비오는 날이나 가연성 폭발물 근처에서는 사용하지 마세요.

⚠ 警告

使用前に取扱説明書を読むこと
分解、改造、端子の短絡、火気への投入禁止
故障が疑われる時は使用を停止する
専用充電器を使用すること
車で運搬時はバッテリーを取り外すこと



Li-ion 20









B



Robert Bosch GmbH
72757 Reutlingen
Germany
www.bosch-ebike.com





Intertek
5020899
Conf. To
UL STD 2849



RECYCLE
RBRRC
Li-ion
1.500.822.0857





⚠ WARNING To reduce the risk of injury, explosion, or fire, user must read instruction manual. • Do not crush, puncture, disassemble, short terminals, or dispose in fire. • Do not use battery once it has been impacted, sustained water damage or visibly damaged. • Charge battery only with Bosch eBike chargers.

⚠ AVERTISSEMENT L'utilisateur doit lire le mode d'emploi pour réduire le risque de blessure, explosion ou d'incendie. • Ne pas écraser, perforer, démonter, court-circuiter les bornes ou jeter dans un feu. • Ne pas réutiliser la pile si elle a subi un choc, des dégâts causés par l'eau ou d'autres dommages visibles. • Ne charger la pile qu'avec un chargeur Bosch eBike.

⚠ 警告

使用前に取扱説明書を読むこと
分解、改造、端子の短絡、火気への投入禁止
故障が疑われる時は使用を停止すること



⚠ 경고, 警告

주의사항: 1.사용전 반드시 사용설명서를 읽어주시기 바랍니다.
2.비오는 날이나 가연성 폭발물 근처에서는 사용하지 마세요.
電動輔助自行車用二次鋰電池組 依照說明書指示使用電池, 使用專用充電器, 廢電池請回收

- A Safety instructions for PowerPack
- B Safety instructions for PowerTube
- ▶ **Warning labels have been placed on the Bosch eBike System for your protection. Read and follow the instructions of the labels on the product carefully. If a label becomes illegible or comes off, contact your Bosch bicycle dealer to obtain a replacement.** Replacement safety labels are provided by Bosch at no charge.

Handling the lithium-ion battery pack

Safety warnings for Bosch eBike batteries



Read and understand all safety warnings and instructions. Failure to follow the below warnings could result in death or serious injury.

Save all safety warnings and instructions for future reference.

The term **eBike battery** used in these operating instructions refers to all original Bosch eBike batteries.

- ▶ **Read and observe the safety warnings and instructions in all operating instructions of the eBike components and your eBike.**
- ▶ **It is recommended that you periodically review this information to ensure you are following all recommendations for safe use of this product.** Improper use, storage or charging of the battery can cause thermal runaway leading to a sudden and severe fire resulting in property damage, serious injury or death.

DANGER

- ▶ **Do not puncture or crush the battery pack. Do not impact or drop the battery pack or modify it in any way.** Do not use the battery pack if it shows visible damage. Danger of fire or explosion which can cause death or serious injury.



Protect the battery pack against heat (e.g., temperature > 140 °F), fire and immersing into water. Danger of explosion.

WARNING

- ▶ **Use only original Bosch battery packs approved for your eBike by the manufacturer and purchased from a credible source.** Use of non-approved or counterfeit battery packs can lead to death or serious injury.
- ▶ **Remove the eBike battery from the eBike before beginning work (e.g. inspection, repair, assembly, maintenance, work on the chain, etc.) on the eBike, transporting it by car or airplane, or storing it.** Unintentional activation of the eBike poses a risk of injury.

- ▶ **Do not open the eBike battery.** There is a risk of short-circuiting.
- ▶ **When the eBike battery is not in use, keep it away from paper clips, coins, keys, nails, screws or other small metal objects that could make a connection from one terminal to another.** A short circuit between the terminals may cause burns or a fire.
- ▶ **Avoid mechanical loads and exposure to high temperatures.** These can damage the battery cells and cause the flammable contents to leak out.
- ▶ **Do not place the charger or the eBike battery near flammable materials. Ensure the eBike battery is completely dry and kept on a clean, dry, flat and non-flammable surface.** There is a risk of fire due to the heat generated during charging.
- ▶ **The eBike battery must not be left unattended while charging, especially overnight.** Once the battery is fully charged, disconnect the charger from the battery. Do not leave the battery connected to the charger for an extended period of time after it has reached full charge.
- ▶ **If used incorrectly, the eBike battery may leak fluid; avoid contact. If contact occurs, rinse off with water. If the liquid comes into contact with your eyes, seek additional medical attention.** Fluid ejected from the battery may cause skin irritation or burns.
- ▶ **eBike batteries must not be subjected to mechanical shock, excessive vibration or excessive weight from objects placed on the battery.** There is a risk of the eBike battery being damaged.

- ▶ **The eBike battery may give off fumes if it becomes damaged or is used incorrectly. Ensure the area is well ventilated and seek medical attention should you experience any adverse effects.** The fumes may irritate the respiratory system.
 - ▶ **Only charge the eBike battery using original Bosch chargers.** When using chargers that are not made by Bosch, the risk of fire cannot be excluded.
 - ▶ **Use the eBike battery only in conjunction with eBikes that have original Bosch eBike drive systems.** This is the only way in which you can protect the eBike battery against dangerous overload.
 - ▶ **Use only original Bosch eBike batteries that the manufacturer has approved for your eBike.** Using other eBike batteries can lead to injuries and pose a fire hazard. Bosch accepts no liability or warranty claims if other eBike batteries are used.
 - ▶ **Do not charge or use your eBike in any area with a potentially explosive atmosphere, such as at a fueling area, or in areas where the air contains chemicals or particles (such as grain, dust, or metal powders).** Obey all signs and instructions.
 - ▶ **Do not use the rack-mounted battery as a handle.** Lifting the eBike up by the battery can damage the battery.
 - ▶ **Keep the battery and charger away from children and animals. Unless supervised or instructed on proper/responsible use, children or people who lack the necessary experience or understanding to operate the battery and charger safely should not be left unattended with the battery and charger.** There is a significant risk of personal injury and/or damage.
- ceptible to an uncontrollable energy release resulting in a sudden and severe fire. A Lithium-Ion battery fire generally cannot be put out until the energy contained therein is exhausted. Therefore, proper use, charging, discharging, care, maintenance, storage and transportation are all critical to the long-term use of the battery and the safety of the user and others.
- ▶ **The battery charge port terminals and/or the charger plug can get contaminated. Repeatedly connecting contaminated terminals can result in worn and damaged terminals.** Clean thoroughly before connecting the charger.
 - ▶ **Do not touch the terminals of the battery or charger during an electrical storm in case of a lightning strike.**
 - ▶ **Always follow charger and battery operating, charging and storage temperature.**
 - ▶ **Do not use a power inverter to charge the battery from a 12-volt automobile auxiliary power outlet in a vehicle.** Incorrect or excessive voltage can result in overheating, which can damage the battery and reduce the battery's lifespan or cause a sudden and severe fire.
 - ▶ **If the battery becomes too hot, starts to emit smoke, flame or a strong odor, shows any signs of deformation/bulging/leaks or otherwise presents unusual characteristics, discontinue use of the battery.** If a battery exhibits any of these symptoms and is failing catastrophically, evacuate the area immediately and call fire authorities. Only if possible to do so safely and quickly should you attempt to move the battery outdoors and away from people and flammable materials.

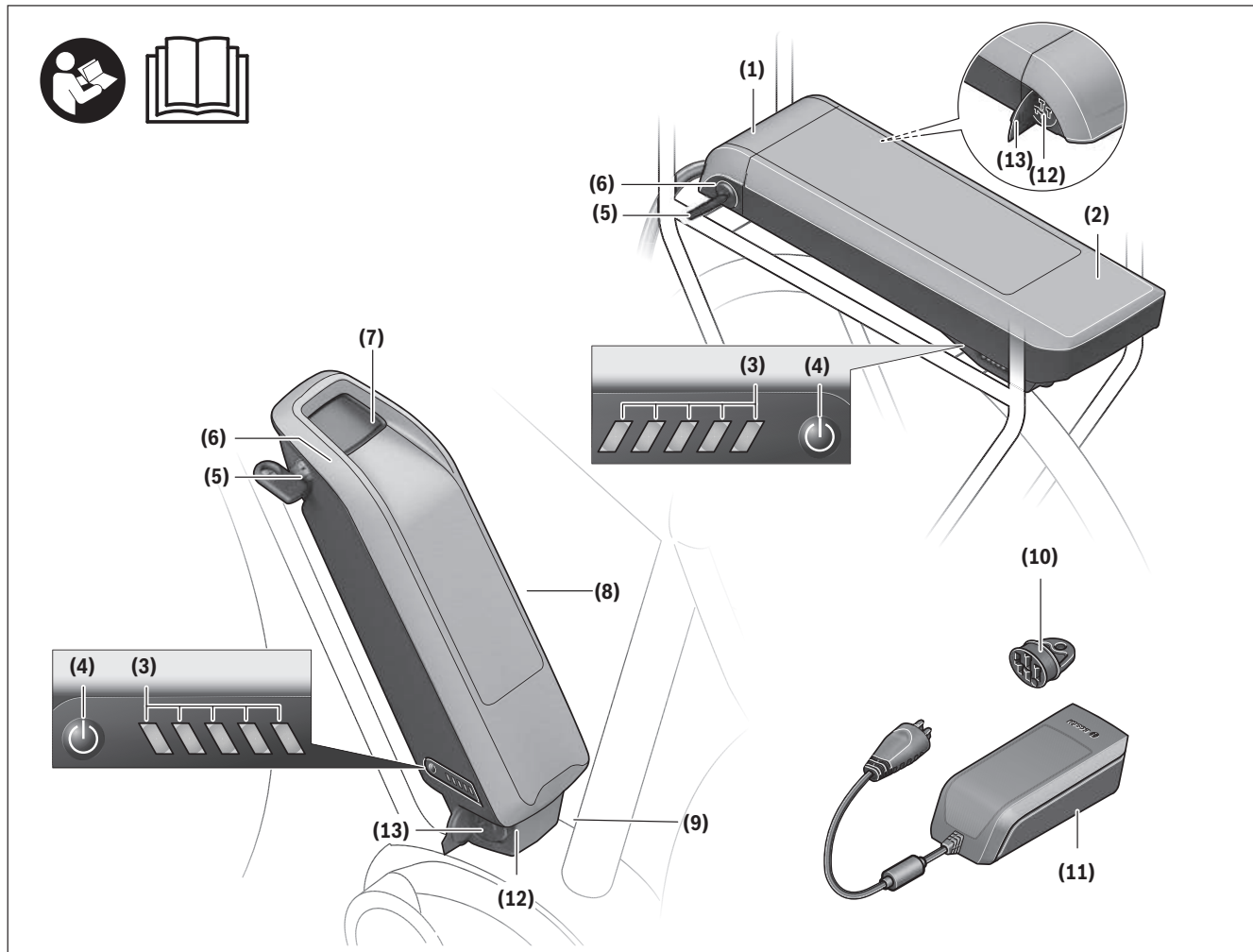
The safety of both our customers and our products is important to us. Our eBike batteries are lithium-ion batteries which have been developed and manufactured in accordance with the latest technology. We comply with or exceed the requirements of all relevant safety standards. When damaged, improperly charged or misused, Lithium-Ion batteries are sus-

Privacy notice

When connecting the eBike to the **Bosch Diagnostic-Tool** or when exchanging eBike components, technical information about your eBike (e.g. manufacturer, model, bike ID, configuration data) as well as regarding the use of the eBike (e.g. total travel time, energy consumption, temperature) is transmitted to Bosch eBike Systems (Robert Bosch GmbH) for processing your request, in service cases and for the purposes of product improvement. More information on data processing can be found at www.bosch-ebike.com/privacy-full.

Product description and specifications

Product features PowerPack

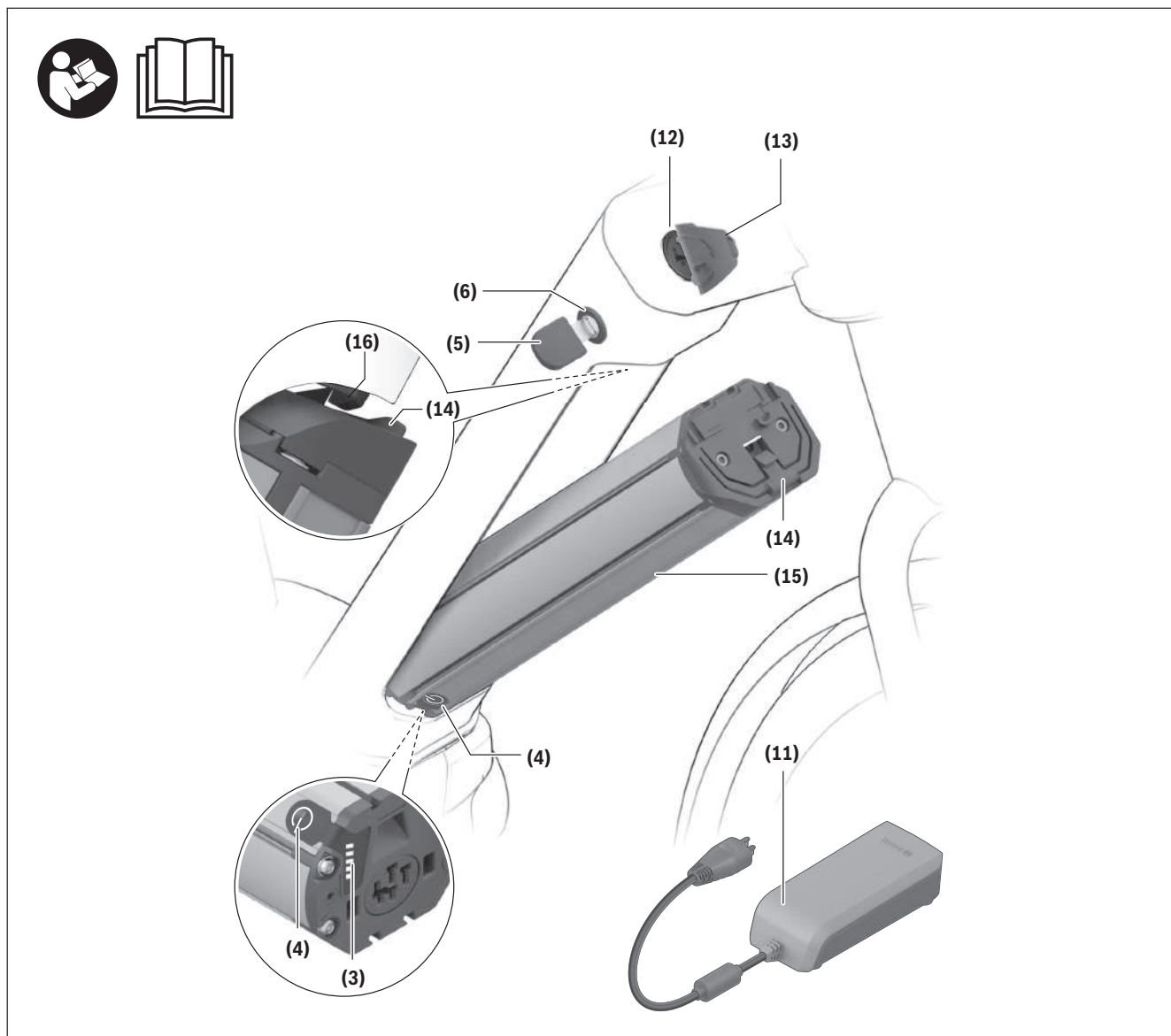


All representations of bike components are schematic and can deviate from your eBike.

- (1)** Rack-mounted battery holder
- (2)** Rack-mounted battery
- (3)** Operation/state of charge indicator
- (4)** On/off button
- (5)** Key for the battery lock
- (6)** Battery lock
- (7)** Upper holder for standard battery
- (8)** Standard battery
- (9)** Lower holder for standard battery

- (10)** Cover (supplied only on eBikes with two eBike battery packs)
- (11)** Charger
- (12)** Socket for charging connector
- (13)** Charging socket cover

Product features PowerTube



All representations of bike components are schematic and can deviate from your eBike.

- (3) Operation/state of charge indicator
- (4) On/off button
- (5) Key for the battery lock
- (6) Battery lock
- (11) Charger
- (12) Socket for charging connector
- (13) Charging socket cover
- (14) PowerTube safety restraint
- (15) PowerTube battery
- (16) PowerTube safety hook

Intended Use

The Bosch eBike rechargeable batteries are intended exclusively for the power supply of your Bosch eBike drive unit and must not be used for any other purpose.

Technical data

Li-ion battery		PowerPack 400	PowerPack 500
Product code		BBS266 ^{A)} BBR266 ^{B)}	BBS276 ^{A)} BBR276 ^{B)}
– Rack-mounted battery		0 275 007 525/526	0 275 007 535/536
Rated voltage	V	36	36
Nominal capacity	Ah	11	13.4
Energy	Wh	400	500
Operating temperature	°F	+23 to +104	+23 to +104
Storage temperature	°F	+50 to +104	+50 to +104
Permitted charging temperature range	°F	+32 to +104	+32 to +104
Weight, approx.	lb	5.5 ^{A)} /5.7 ^{B)}	5.7 ^{A)} /6.0 ^{B)}
Protection rating		IP55	IP55

A) Standard battery

B) Rack-mounted battery

Li-ion battery		PowerTube 400	PowerTube 500	PowerTube 625
Product code		BBP287 horizontal BBP288 vertical	BBP285 horizontal BBP286 vertical	BBP295 horizontal BBP296 vertical
Rated voltage	V	36	36	36
Nominal capacity	Ah	11	13.4	16.7
Energy	Wh	400	500	625
Operating temperature	°F	+23 to +104	+23 to +104	+23 to +104
Storage temperature	°F	+50 to +104	+50 to +104	+50 to +104
Permitted charging temperature range	°F	+32 to +104	+32 to +104	+32 to +104
Weight, approx.	lb	6.4	6.4	7.7
Protection rating		IP55	IP55	IP55

Fitting

- ▶ **Ensure the eBike battery is placed on clean surfaces only.** Avoid getting dirt, e.g. sand or soil, in the charging socket and contacts in particular.
- ▶ **Once you have inserted the eBike battery, check that it is correctly positioned and secure in all directions.**
- ▶ **Do not remove the battery from the eBike during the charging process.** If the battery has to be removed, first end the charging process before removing the battery from the eBike, then once the battery is in a proper state for charging, restart the charging process.

Testing the eBike Battery Before Using it for the First Time

Test the eBike battery before charging it for the first time or using it in your eBike.

To do this, press the on/off button **(4)** to switch the eBike battery on. If none of the LEDs on the battery charge indicator **(3)** lights up, the eBike battery may be damaged.

If at least one (but not all) of the LEDs on the battery charge indicator **(3)** lights up, the eBike battery will need to be fully charged before using it for the first time.

- ▶ **Do not charge or use eBike batteries if they are damaged.** Contact an authorized bicycle dealer.

Charging the eBike Battery

- ▶ **A Bosch eBike battery must only be charged using an original Bosch eBike charger.**

Note: The eBike battery is supplied partially charged. To ensure full capacity of the eBike battery, fully charge the battery in the charger before using it for the first time.

To charge the eBike battery, read and follow the instructions in the operating manual for the charger. The eBike battery can be charged at any state of charge. Interrupting the charging process does not damage the eBike battery.

The eBike battery has a temperature monitoring function that only allows it to be charged within a temperature range of **32 °F** to **104 °F**.



If the temperature of the eBike battery is outside this charging range, three of the LEDs on the battery charge indicator **(3)** will flash. Disconnect the eBike battery from the charger and let it reach the correct temperature range.

CAUTION

- ▶ **Do not connect the battery pack to the charger until it has reached the allowable charging temperature.**

Battery charge indicator outside of the eBike

The five LEDs on the battery charge indicator **(3)** indicate the battery's state of charge when the eBike battery is switched on.

Each LED represents approximately 20 % of the charging capacity. When the eBike battery is fully charged, all five LEDs will be lit.

The eBike battery's state of charge when switched on is also shown on the display of the on-board computer. Read and follow the instructions in the operating manuals for the drive unit and on-board computer.

If the eBike battery's capacity is less than 10 %, the last remaining LED will flash.

If the eBike battery capacity is less than 5 %, all the LEDs on the battery charge indicator **(3)** on the eBike battery will go out. The display function of the on-board computer, however, will carry on working.

Once charging is complete, disconnect the eBike battery from the charger and the charger from the mains.

Using Two eBike Batteries for One eBike (optional)

The manufacturer can also equip an eBike with two eBike batteries. In this case, one of the charging sockets will not be accessible or it will have been sealed with a sealing cap by the bicycle manufacturer. Only charge the eBike batteries via the charging socket that is accessible.

► **Never open charging sockets that have been sealed by the manufacturer.** Charging batteries via a charging socket that used to be sealed may cause irreparable damage.

If you want to use an eBike that is designed for two eBike batteries with only one e-Bike battery, cover the contacts of the unused socket using the cover **(10)** provided. Otherwise there is a risk that the exposed contacts will cause a short circuit.

Charging Process for Two eBike Batteries

If two eBike batteries are fitted to an eBike, both eBike batteries can be charged using the uncovered connection. To begin with, both eBike batteries are charged one after the other until they reach approx. 80–90 % capacity, then they are both fully charged at the same time (the LEDs flash on both eBike batteries).

When the bike is in operation, power is drawn from both eBike batteries on an alternating basis.

If you take the eBike batteries out of the holders, you can charge each one individually.

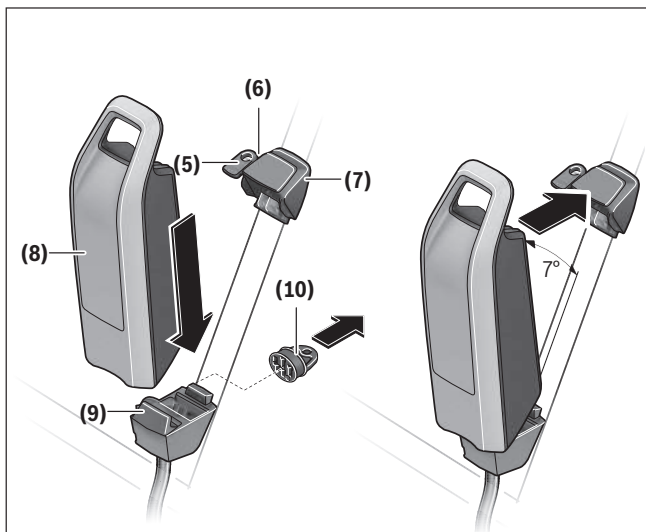
Charging With One eBike Battery Fitted

If only one eBike battery is fitted, you can only charge the eBike battery that has the accessible charging socket on the bike. You can only charge the eBike battery with the sealed charging socket if you take the eBike battery out of the holder.

Inserting and Removing the eBike Battery

- ▶ **When inserting the battery into the holder or removing it from the holder, always switch off the eBike battery and the eBike beforehand.**
- ▶ **Once you have inserted the eBike battery, check that it is correctly positioned and secure in all directions.**

Inserting and Removing the Standard Battery



In order for the battery to be inserted, the key **(5)** must be inserted into the lock **(6)** and the lock must be open.

To **insert the standard battery (8)**, place it onto the contacts on the lower holder **(9)** on the eBike (the battery can be tilted towards the frame by up to 7°). Twist it into the upper holder **(7)** as far as possible until you hear it click into place.

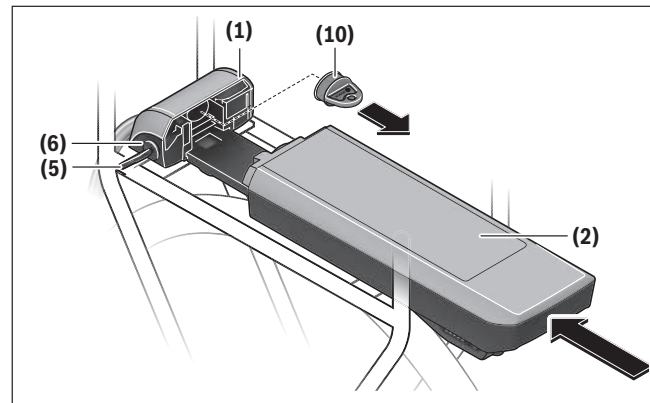
- ▶ **Always check that the battery pack is locked in place.** To do this, pull on the battery pack (after the key has been removed).

Always secure the eBike battery by closing the lock **(6)** – otherwise the lock may open and the eBike battery may fall out of the holder.

Always remove the key **(5)** from the lock **(6)** after closing it. This prevents both the key from falling out and the eBike battery from being removed by unauthorized third parties when the eBike is not in use.

To **remove the standard battery (8)**, switch it off and open the lock using the key **(5)**. Tilt the eBike battery out of the upper holder **(7)** and pull it out of the lower holder **(9)**.

Inserting and removing the rack-mounted battery



In order for the battery to be inserted, the key **(5)** must be inserted into the lock **(6)** and the lock must be open.

To **insert the rack-mounted battery (2)**, slide its contacts first into the holder **(1)** on the rack until you hear it click into place.

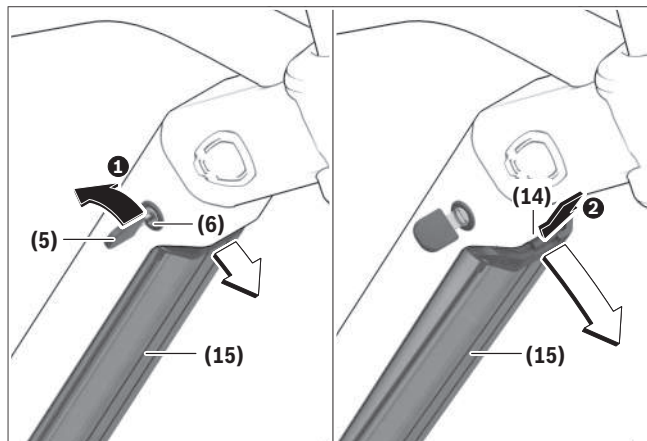
- ▶ **Always check that the battery pack is locked in place.** To do this, pull on the battery pack (after the key has been removed).

Always secure the battery by closing the lock **(6)** – otherwise the lock may open and the battery may fall out of the holder.

Always remove the key **(5)** from the lock **(6)** after closing it. This prevents both the key from falling out and the eBike battery from being removed by unauthorized third parties when the eBike is not in use.

To **remove the rack-mounted battery (2)**, switch it off and open the lock using the key **(5)**. Pull the battery out of the holder **(1)**.

Removing the PowerTube battery



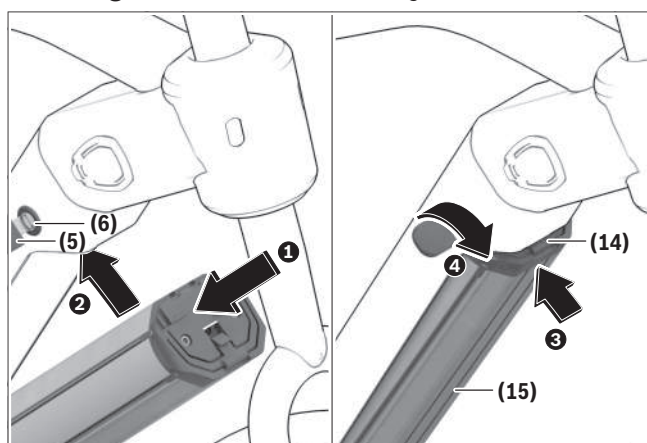
- ❶ To remove the PowerTube battery (15), open the battery lock (6) using the key (5). The battery will be unlocked and fall into the safety restraint (14).

Note: When removing the eBike battery, hold it firmly in your hand.

- ❷ Hold the battery firmly and press on the safety restraint (14) from above. The battery will be unlocked completely and fall into your hand. Then pull the battery out of the frame.

Note: As a result of **varying** designs, the battery may need to be inserted and removed using a different method. Read the eBike manufacturer's operating instructions.

Inserting the PowerTube battery



In order for the battery to be inserted, the key (5) must be inserted into the battery lock (6) and the battery lock must be open.

- ❶ To insert the PowerTube battery (15), place it so that its contacts are in the lower holder of the frame.
- ❷ Hold the battery lock open with the key and swivel the battery upwards until it is held by the safety restraint (14).
- ❸ Release the key and push the battery upwards until it audibly clicks into place.
- ❹ Always secure the battery by closing the battery lock (6) – otherwise the battery lock may open and the battery may fall out of the holder.

► **Always check that the battery pack is locked in place.** To do this, pull on the battery pack (after the key has been removed).

Always remove the key (5) from the battery lock (6) after locking it. This prevents both the key from falling out and the eBike battery from being removed by unauthorized third parties when the eBike is not in use.

Operation

Start-up

- **Use only original Bosch eBike batteries that the manufacturer has approved for your eBike.** Using other eBike batteries can lead to injuries and pose a fire hazard. Bosch accepts no liability or warranty claims if other eBike batteries are used.



If a fault is detected in the eBike battery, two of the LEDs on the battery charge indicator **(3)** will flash. Contact an authorized bicycle dealer if this happens.

Switching on/off

Switching on the eBike battery is one way to switch on the eBike. Read and follow the instructions in the operating manuals for the drive unit and on-board computer.

Before switching on the eBike battery, i.e. the eBike, make sure that the battery lock **(6)** is locked.

To **switch on** the eBike battery, press the on/off button **(4)**. Do not use sharp or pointed objects to press the button. The LEDs on the indicator **(3)** will light up, indicating the battery's state of charge at the same time.

- **Always check that the battery pack is locked in place.** To do this, pull on the battery pack (after the key has been removed).

Note: If the eBike battery capacity is less than 5 %, none of the LEDs on the battery charge indicator **(3)** will light up. Whether the eBike is switched on can only be determined from the on-board computer/control unit.

To **switch off** the eBike battery, press the on/off button **(4)** again. The LEDs on the indicator **(3)** go out. This will also switch the eBike off.

If no drive assistance is requested for about **10** minutes (e.g. because the eBike is not moving) and no button is pressed on the on-board computer or the operating unit of the eBike, the eBike will switch off automatically.

The eBike battery is protected against deep discharge, overloading, overheating and short-circuiting by the "Electronic Cell Protection (ECP)". In the event of danger, a protective circuit switches the eBike battery off automatically.

Behavior in the event of a fault

The Bosch eBike battery must not be opened, even for repairs. There is a risk that the Bosch eBike battery could catch fire, e.g. due to a short circuit. This risk arises if a Bosch eBike battery which has **already** been opened is reused at a later point in time.

In the event of a fault, do not have your Bosch eBike battery repaired; instead, have it replaced with an original Bosch eBike battery by your bicycle retailer.

Transport

- ▶ **If you transport your eBike attached to the outside of your car, e.g. on a bike rack, remove the on-board computer and the eBike battery to avoid damaging them.**

The eBike batteries are subject to legislation on the transport of dangerous goods.

When batteries are transported by commercial users or third parties (e.g. air transport or forwarding agency), special requirements on packaging and labeling (e.g. ADR regulations) must be met. When preparing items for shipping, a dangerous goods expert can be consulted as required.

Do not ship or transport a damaged battery or attempt to circumvent laws regarding shipping of Lithium-Ion batteries. Failure to follow this warning may lead to a fire during the transportation process, resulting in serious personal injury or death to transportation workers or the public, and damage to vehicles or transportation facilities for which you may be

held civilly and criminally responsible. Use only the original Bosch eBike battery packaging when transporting the eBike battery. Apply tape over exposed contacts and pack the eBike battery such that it cannot move around inside the packaging. Inform your parcel service that the package contains dangerous goods. Always check state and federal regulations before attempting to ship your battery.

- ▶ **Always use an approved and compatible bicycle rack when transporting your eBike. The Bosch drive system adds weight to the bicycle.** Refer to your bicycle rack manual to be sure your eBike is compatible. Overloading a bike rack can result in death or serious injury.
- ▶ **Use proper lifting techniques as electric bikes are generally heavier than bicycles.**

If you have any questions about transporting the eBike batteries, contact an authorized bicycle dealer.

Maintenance/cleaning

⚠ WARNING

- ▶ **Do not open or deform the battery housing and/or perform any modifications or service to the battery. There are no user-serviceable components in the battery pack.** Opening a Lithium-Ion battery may result in a hazardous condition.
- ▶ **Always switch the battery pack off, when inserting or removing it from the holder.** Never attempt to insert or remove the battery pack while riding the bike.
- ▶ **Do not submerge your eBike components in water, or wash with pressurized hose.** Your Bosch battery pack is designed to be water tight to rain water or non-pressure hose washing.
- ▶ **Note down the manufacturer and the number of the key.** In case of loss of the keys, please refer to an authorised Bosch eBike dealer. Please provide the name of the manufacturer and the number of the key.

- ▶ **Do not apply any cleaning agents, paint or chemicals to any components of the Bosch drive system as they may cause premature failure of the component.**

After-sales service and advice on using products

If you have any questions about the eBike batteries, contact an authorized bicycle dealer.

- ▶ **Note down the key manufacturer and number on the key (5).** Contact an authorized bicycle dealer if you lose the key. Give them the name of the key manufacturer and the number on the key.

For contact details of authorized bike dealerships, please visit www.bosch-ebike.com.



More information about the eBike components and their functions can be found in the Bosch eBike Help Center.

Cleaning

- ▶ **The eBike battery must not be immersed in water or cleaned with a high-pressure cleaner.**

Keep all components of your eBike clean, especially the battery pack contacts and corresponding holder contacts. All components including the drive unit may not be immersed in water or cleaned with a high-pressure cleaner. Clean them carefully with a soft, damp cloth (using only mild soap and water).

Keep the eBike battery clean and avoid contact with skincare products, sun cream and insect repellent. Clean it carefully with a soft, damp cloth.

Clean and lightly grease the connector pins occasionally. Use medical or technical Vaseline for this purpose.

Please contact an authorized bicycle dealer if the eBike battery is no longer working.

Storing

The service life of the eBike battery can be extended if it is looked after well and especially if it is stored at the correct temperature.

As it ages, however, the capacity of the eBike battery will diminish, even with good care.

A significantly reduced operating period after charging indicates that the eBike battery pack is worn out and must be replaced. You can replace it yourself by purchasing a genuine Bosch PowerPack from an authorized Bosch eBike dealer.

Recharging the eBike Battery Before and During Storage

When you are not going to use the eBike battery for an extended period (longer than three months), store it at a state of charge of around 30 % to 60 % (when two to three of the LEDs on the battery charge indicator **(3)** are lit).

Check the state of charge after six months. If only one of the LEDs on the battery charge indicator **(3)** is lit, charge the eBike battery back up to around 30 % to 60 %.

Note: If the eBike battery is stored with no charge for an extended period of time, it may become damaged despite the low self-discharge and the battery capacity could be significantly reduced.

Storage conditions

If possible, store the eBike battery in a dry, well-ventilated place. Protect it against moisture and water. When the weather conditions are bad, it is advisable

to remove the eBike battery from the eBike and store it in a closed room, for example, until you use it next. If the battery is integrated in the frame, the whole eBike should be stored indoors.

Do **not** store the eBike battery in the following locations:

- In areas without smoke alarms
- Near combustible or easily flammable objects
- Near space heaters and other heat sources
- In locked vehicles (especially in the summer)
- In direct sunlight




To ensure an optimum service life, store the eBike batteries at room temperature.

Never store them at temperatures below **14 °F** or above **140 °F**.

Make sure that the maximum storage temperature is not exceeded.

- ▶ **Keep the battery and the charge port connectors (terminals or pins) dry, clean and free of debris. Make sure the battery and charger have no items covering or placed on top of them.**

Troubleshooting

Cause	Corrective measures
 <p>eBike battery defective</p>	<p>Two LEDs flash on the eBike battery. Contact an authorized bike dealership.</p>
 <p>eBike battery too warm or too cold</p>	<p>Three LEDs flash on the eBike battery. Disconnect the eBike battery from the charger until the charging temperature range has been reached. Do not reconnect the eBike battery to the charger until it has reached the correct charging temperature.</p>
 <p>The charger is not charging.</p>	<p>No LEDs flashing (one or more LEDs will remain permanently lit depending on the state of charge of the eBike battery). Contact an authorized bike dealership.</p>
<p>Charging not possible (no indicator on eBike battery)</p>	
<p>Connector not attached properly</p>	<p>Check all connections.</p>
<p>eBike battery contacts dirty</p>	<p>Carefully clean the eBike battery contacts.</p>
<p>Socket outlet, cable or charger defective</p>	<p>Check the mains voltage, have the charger checked over by a bike dealership.</p>
<p>eBike battery defective</p>	<p>Contact an authorized bike dealership.</p>

Battery Recycling Program



eBike batteries, accessories and packaging should be disposed of in an environmentally correct manner.

Do not dispose of eBikes and their components with household waste.

Do not dispose of an eBike battery or any other Lithium-Ion battery in your regular household trash or a public trash receptacle. Batteries that enter the regular waste stream can be damaged, leading to a fire resulting in serious injury, death, property damage and environmental contamination.

Tape or mask off the contact surfaces of the battery pack's terminals with adhesive tape before disposing of battery packs.

Do not touch severely damaged eBike batteries with your bare hands – electrolyte may escape and cause skin irritation. Store the defective battery in a safe location outdoors. Cover the terminals if necessary and inform your dealer. They will help you to dispose of it properly.



You may recycle your Bosch battery pack by calling 1.800.822.8837.

Table des matières

Introduction	2
À propos des avertissements.....	2
Avertissements généraux.....	2
Utilisez votre notice d'utilisation	3
Étiquettes d'avertissement sur le produit	4
Utilisation de la batterie Lithium-Ion	5
Consignes de sécurité pour les batteries de VAE Bosch	5
Description des prestations et du produit.....	8
Montage.....	11
Fonctionnement.....	15
Transport	15
Maintenance/nettoyage.....	16
Stockage.....	17
Résolution des problèmes	18
Programme de recyclage des accus.....	19

Introduction

Certains contenus sont publiés sous la licence de **PeopleForBikes Coalition, LTD.**

À propos des avertissements

Cette notice contient de nombreuses mentions de danger de type **DANGER, AVERTISSEMENT** et **ATTENTION** destinées à attirer l'attention sur les conséquences d'erreurs, dans le but d'utiliser, d'assembler, d'entretenir, de conserver et d'éliminer dans les règles et en toute sécurité les vélos électriques dotés d'un système eBike Bosch.

- Le symbole de sécurité et le mot **DANGER** signalent une situation à risque élevé, qui entraîne inévitablement des blessures graves, voire la mort, si elle n'est pas évitée.

- Le symbole de sécurité et le mot **AVERTISSEMENT** signalent une situation à risque élevé, pouvant entraîner des blessures graves, voire la mort, si elle n'est pas évitée.
- Le symbole de sécurité et le mot **ATTENTION** signalent une situation à risque modéré pouvant entraîner des blessures légères ou modérées si elle n'est pas évitée.

Avertissements généraux



Lisez toutes les consignes de sécurité et instructions. Le non-respect des consignes de sécurité et des instructions peut entraîner des blessures graves, voir la mort et causer des dommages matériels.

Conservez tous les avertissements et toutes les instructions pour pouvoir s'y reporter ultérieurement.

Le terme **batterie de VAE** utilisé dans cette notice désigne toutes les batteries de VAE Bosch d'origine.

- **Lisez TOUS les manuels et TOUTES les notices jointes avant d'utiliser votre vélo pour la première fois.** Votre système d'entraînement Bosch est livré avec d'autres manuels et documents fournis par le fabricant du vélo et des autres éléments. Ne pas lire ou ne pas comprendre les informations de sécurité peut entraîner des blessures graves ou mortelles.

AVERTISSEMENT

- **Cette notice contient d'importantes informations sur la sécurité, les performances et l'entre-**

tien. Veuillez la lire avant d'utiliser votre vélo pour la première fois, et la conserver pour référence ultérieure. Vous pouvez également retrouver cette notice en ligne à l'adresse www.bosch-ebike.com.

- **Cette notice est destinée à être lue conjointement avec le manuel utilisateur séparé fourni avec votre vélo.** Assurez-vous de lire tous les documents fournis y compris les étiquettes apposées sur le produit avant la première utilisation.
- **Assumez la responsabilité de votre propre SÉCURITÉ.** En cas de question ou d'incompréhension, contactez votre revendeur ou le fabricant du vélo ou de l'élément.
- **Certains accessoires de l'eBike peuvent présenter un risque d'étouffement pour les petits enfants.** Conservez ces accessoires hors de portée des enfants.

ATTENTION

- **Le système d'entraînement Bosch alourdit votre vélo. Vous n'avez peut-être pas l'habitude de le soulever.** Évitez de vous blesser en utilisant des techniques de levage appropriées.

Utilisez votre notice d'utilisation

Nous nous réservons le droit d'apporter à tout moment des modifications au logiciel pour corriger des erreurs ou pour modifier les fonctionnalités décrites dans la présente notice.

Graphiques

Le vélo illustré dans cette notice peut être légèrement différent de votre vélo, mais il est suffisamment similaire pour vous permettre de comprendre nos instructions.

Les côtés DROIT et GAUCHE sont déterminés en se plaçant en situation, dans le sens de la marche du vélo. Lorsqu'une ligne en pointillé (-----) apparaît, l'élément auquel il est fait référence n'est pas visible.

Étiquettes d'avertissement sur le produit

A

⚠️ WARNING To reduce the risk of injury, explosion, or fire, user must read instruction manual. • Do not crush, puncture, disassemble, short terminals, or dispose in fire. • Do not use battery once it has been impacted, sustained water damage or visibly damaged. • Charge battery only with Bosch eBike chargers. • Remove battery when using vehicle bike rack!

⚠️ AVERTISSEMENT L'utilisateur doit lire le mode d'emploi pour réduire le risque de blessure, explosion ou d'incendie. • Ne pas écraser, perforer, démonter, court-circuiter les bornes ou jeter dans un feu. • Ne pas réutiliser la pile si elle a subi un choc, des dégâts causés par l'eau ou d'autres dommages visibles. • Ne charger la pile qu'avec un chargeur Bosch eBike. • Retirez la batterie avant le transport sur le porte-vélos.

⚠️ 주의사항: 1.사용전 반드시 사용설명서를 읽어주시기 바랍니다. 2.비오는 날이나 가연성 폭발물 근처에서는 사용하지 마세요.

⚠️ 警告

使用前に取扱説明書を読むこと
分解、改造、端子の短絡、火気への投入禁止
故障が疑われる時は使用を停止する
専用充電器を使用すること
車で運搬時はバッテリーを取り外すこと


 Li-ion 20









B

BOSCH

Robert Bosch GmbH
72757 Reutlingen
Germany
www.bosch-ebike.com











⚠️ WARNING To reduce the risk of injury, explosion, or fire, user must read instruction manual. • Do not crush, puncture, disassemble, short terminals, or dispose in fire. • Do not use battery once it has been impacted, sustained water damage or visibly damaged. • Charge battery only with Bosch eBike chargers.

⚠️ AVERTISSEMENT L'utilisateur doit lire le mode d'emploi pour réduire le risque de blessure, explosion ou d'incendie. • Ne pas écraser, perforer, démonter, court-circuiter les bornes ou jeter dans un feu. • Ne pas réutiliser la pile si elle a subi un choc, des dégâts causés par l'eau ou d'autres dommages visibles. • Ne charger la pile qu'avec un chargeur Bosch eBike.

⚠️ 警告

使用前に取扱説明書を読むこと
分解、改造、端子の短絡、火気への投入禁止
故障が疑われる時は使用を停止すること

専用充電器を使用すること



⚠️ 경고, 警告

주의사항: 1.사용전 반드시 사용설명서를 읽어주시기 바랍니다. 2.비오는 날이나 가연성 폭발물 근처에서는 사용하지 마세요.

電動輔助自行車用二次鋰電池組 依照說明書指示使用電池, 使用專用充電器, 廢電池請回收

A Consignes de sécurité pour batterie PowerPack

B Consignes de sécurité pour batterie PowerTube

► **Des étiquettes d'avertissement ont été placées sur le système eBike de Bosch pour votre sécurité. Lisez attentivement et observez les consignes figurant sur ces étiquettes. Au cas où une étiquette venait à se décoller ou à devenir illisible, adressez-vous à votre revendeur Bosch pour obtenir une étiquette de remplacement.** Les étiquettes de sécurité de rechange sont fournies gratuitement par Bosch.

0 275 U07 XPX | (13.03.2024)

Bosch eBike Systems

Utilisation de la batterie Lithium-Ion

Consignes de sécurité pour les batteries de VAE Bosch



Lisez et comprenez tous les avertissements et toutes les instructions. Le fait

de ne pas respecter les avertissements ci-dessous peut entraîner des blessures graves ou mortelles.

Conservez tous les avertissements et toutes les instructions pour pouvoir s'y reporter ultérieurement.

Le terme **batterie de VAE** utilisé dans cette notice désigne toutes les batteries de VAE Bosch d'origine.

- ▶ **Lisez et respectez les consignes de sécurité et les instructions de toutes les notices d'utilisation des composants VAE, ainsi que la notice d'utilisation de votre VAE.**
- ▶ **Nous recommandons de relire régulièrement les présentes informations pour vous assurer que vous suivez bien toutes les recommandations permettant d'utiliser ce produit en toute sécurité.** Une utilisation, un stockage ou une charge inappropriés de la batterie peuvent causer une surchauffe ou un emballement thermique susceptibles de provoquer un incendie soudain lourd de conséquences, pouvant entraîner des dommages matériels, des blessures graves, voir la mort.

! DANGER

- ▶ **Ne percez pas ou n'écrasez pas la batterie. Ne faites pas subir de chocs à la batterie, ne la faites pas tomber et ne la modifiez pas, de quelque manière que ce soit.** N'utilisez plus la batterie si elle présente des dommages et détériorations visibles. Il y a alors un risque d'incendie ou d'explosion pouvant entraîner des blessures graves, voir la mort.



Protégez la batterie contre la chaleur (températures > 140 °F), le feu et l'immersion dans l'eau. Risque d'explosion.

! AVERTISSEMENT

- ▶ **Utilisez seulement des batteries Bosch agréées par le fabricant pour votre VAE et achetées auprès d'un vendeur crédible.** L'utilisation de batteries non agréées ou contrefaites risque causer des blessures graves voir mortelles.
- ▶ **Retirez la batterie de VAE avant d'entreprendre des travaux (réparation, montage, entretien, interventions au niveau de la chaîne etc.) sur le vélo électrique, de la transporter en voiture ou en avion ou avant de la ranger pour une durée prolongée.** Une activation involontaire du VAE risque de provoquer des blessures.
- ▶ **N'ouvrez pas la batterie de VAE.** Risque de court-circuit.
- ▶ **Lorsque la batterie de VAE n'est pas utilisée, tenez-la à l'écart de tout objet métallique (trombones, pièces de monnaie, clés, clous, vis ou autres objets de petite taille) susceptible de créer un court-circuit entre les contacts.** La mise en court-circuit des contacts peut causer des brûlures ou un incendie.
- ▶ **Évitez les contraintes mécaniques ou les forts échauffements.** Ils risqueraient d'endommager les cellules de la batterie ou de provoquer des fuites de matières inflammables.
- ▶ **Ne placez pas le chargeur ou la batterie du VAE à proximité de matériaux inflammables. Assurez-vous que la batterie de VAE est complètement sèche et posez-la sur une surface propre, sèche, plane et non-inflammable.** La chaleur générée pendant la charge risque sinon de provoquer un incendie.
- ▶ **Ne laissez pas la batterie de VAE sans surveillance pendant la charge, notamment la nuit.** Une fois que la batterie est chargée à 100 %, déconnectez le chargeur de la batterie. Ne laissez pas

la batterie connectée au chargeur pendant une longue durée une fois qu'elle est rechargée.

- ▶ **En cas d'utilisation inappropriée, du liquide peut suinter de la batterie de VAE. Évitez tout contact avec ce liquide. En cas de contact accidentel, rincez abondamment à l'eau. Si le liquide entre en contact avec les yeux, consultez en plus un médecin dans les meilleurs délais.** Le liquide qui s'échappe de la batterie peut causer des irritations ou des brûlures.
- ▶ **Ne soumettez pas les batteries de VAE à des chocs mécaniques, des vibrations excessives et ne placez pas au-dessus des objets d'un poids excessif.** La batterie risquerait d'être endommagée.
- ▶ **En cas d'endommagement ou d'utilisation non conforme de la batterie de VAE, celle-ci peut émettre des vapeurs. Ventilez le local et consultez un médecin en cas de malaise.** Les vapeurs peuvent irriter les voies respiratoires.
- ▶ **Ne rechargez la batterie de VAE qu'avec un chargeur d'origine Bosch.** En cas d'utilisation d'un chargeur autre qu'un chargeur d'origine Bosch, un risque d'incendie ne peut pas être exclu.
- ▶ **N'utilisez la batterie de VAE que sur des vélos équipés d'un système d'entraînement électrique d'origine Bosch.** Tout risque de surcharge dangereuse de la batterie sera ainsi exclu.
- ▶ **N'utilisez que les batteries de VAE Bosch d'origine autorisées par le fabricant de votre vélo électrique.** L'utilisation de toute autre batterie de VAE peut entraîner des blessures et des risques d'incendie. Bosch décline toute responsabilité et exclut tout droit à garantie en cas d'utilisation d'autres batteries de VAE.
- ▶ **Ne rechargez pas et n'utilisez pas votre eBike dans une zone présentant une atmosphère potentiellement explosive, par exemple dans une station-service ou dans des zones dans lesquelles l'air contient des produits chimiques ou des particules (telles que des grains, de la poussière ou des poudres métalliques).** Respectez tous les panneaux et toutes les instructions.

- ▶ **Ne vous servez pas de la batterie de porte-bagages comme d'une poignée.** Pour soulever le vélo, ne le saisissez pas au niveau de la batterie car celle-ci risque alors d'être endommagée.
- ▶ **Conservez la batterie et le chargeur hors de portée des enfants et des animaux. Ne laissez pas sans surveillance à proximité de la batterie ou du chargeur des enfants ou personnes sans expérience ou n'ayant pas les connaissances requises pour pouvoir utiliser la batterie ou le chargeur en toute sécurité, à moins qu'ils ne soient accompagnés ou d'avoir reçu des instructions sur leur utilisation correcte et responsable.** Il y a sinon un risque important de blessures et/ou de dommages matériels.

Nous attachons une grande importance à la sécurité de nos clients et de nos produits. Nos batteries de VAE sont des batteries Lithium-Ion bénéficiant des technologies les plus récentes. Elles respectent ou dépassent les exigences de toutes les normes de sécurité applicables. Les batteries Lithium-Ion endommagées, mal utilisées ou mal rechargées peuvent provoquer un incendie grave en libérant de l'énergie de manière incontrôlée. L'incendie provoqué par une batterie Lithium-Ion ne peut généralement pas être maîtrisé et éteint avant épuisement de l'énergie qu'elle contient. Une utilisation, des processus de charge/décharge corrects ainsi qu'un entretien, une maintenance et un stockage appropriés des batteries sont essentiels pour garantir leur bon fonctionnement à long terme et la sécurité de l'utilisateur et d'autres personnes.

- ▶ **Risque de détérioration en cas de salissure des connexions de charge de la batterie et/ou du chargeur. Le fait de connecter de façon répétée le chargeur et/ou la batterie à des bornes sales provoque une usure et une détérioration prématurées des bornes.** Nettoyez les bornes soigneusement avant de connecter le chargeur.

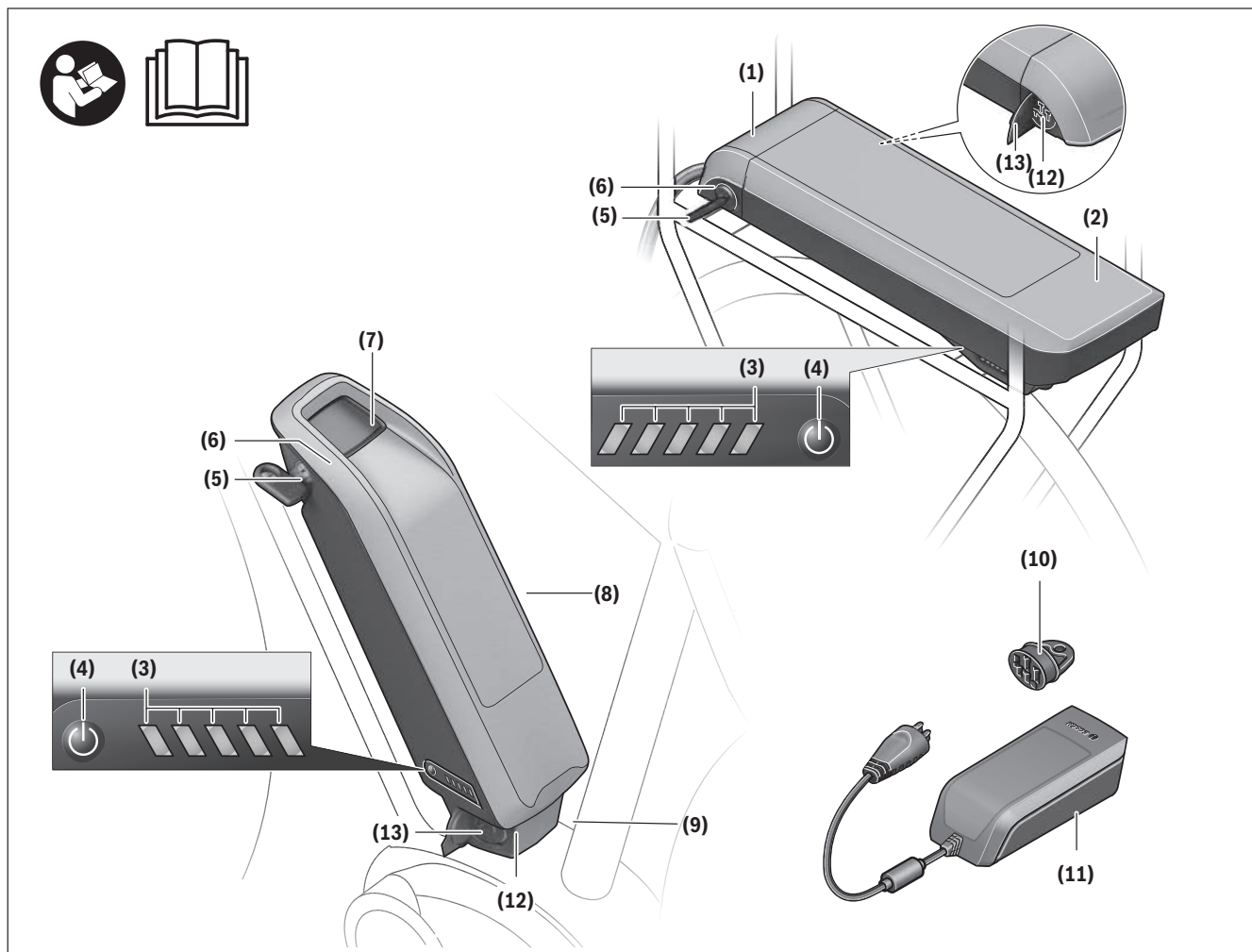
- ▶ **Ne touchez pas les bornes de la batterie ou du chargeur durant un orage pour éviter tout risque d'électrocution.**
- ▶ **Respectez toujours les températures d'utilisation, de charge et de stockage préconisées pour la batterie et le chargeur.**
- ▶ **N'utilisez pas de convertisseur de tension pour charger la batterie à partir de la prise 12 V d'un véhicule.** Une tension incorrecte ou excessive peut provoquer une surchauffe susceptible de détériorer la batterie, de réduire sa durée de vie ou de provoquer un incendie soudain pouvant avoir de lourdes conséquences.
- ▶ **Cessez d'utiliser la batterie quand elle devient trop chaude, commence à émettre de la fumée, des flammes, une odeur anormale ou quand elle présente des signes de déformation, de gonflement ou quand elle se met à fuir.** Quand une batterie présente l'un des symptômes cités et s'enflamme subitement, éloignez-vous immédiatement et appelez les pompiers. Dans la mesure du possible, essayez en évitant toute prise de risque de mettre rapidement la batterie à l'air libre à une distance suffisante de personnes et de matériaux inflammables.

Remarque relative à la protection des données

Lors du raccordement du VAE au **Bosch Diagnostic-Tool** ou du remplacement de composants du système eBike, des informations techniques sur votre VAE (p. ex. fabricant, modèle, ID du vélo, données de configuration) et sur son utilisation (p. ex. durée de roulage totale, consommation d'énergie, température) sont transmises à Bosch eBike Systems (Robert Bosch GmbH) pour pouvoir traiter votre demande (demande de service notamment) et à des fins d'amélioration du produit. Pour en savoir plus sur le traitement des données, rendez-vous sur www.bosch-ebike.com/privacy-full.

Description des prestations et du produit

Caractéristiques des batteries PowerPack

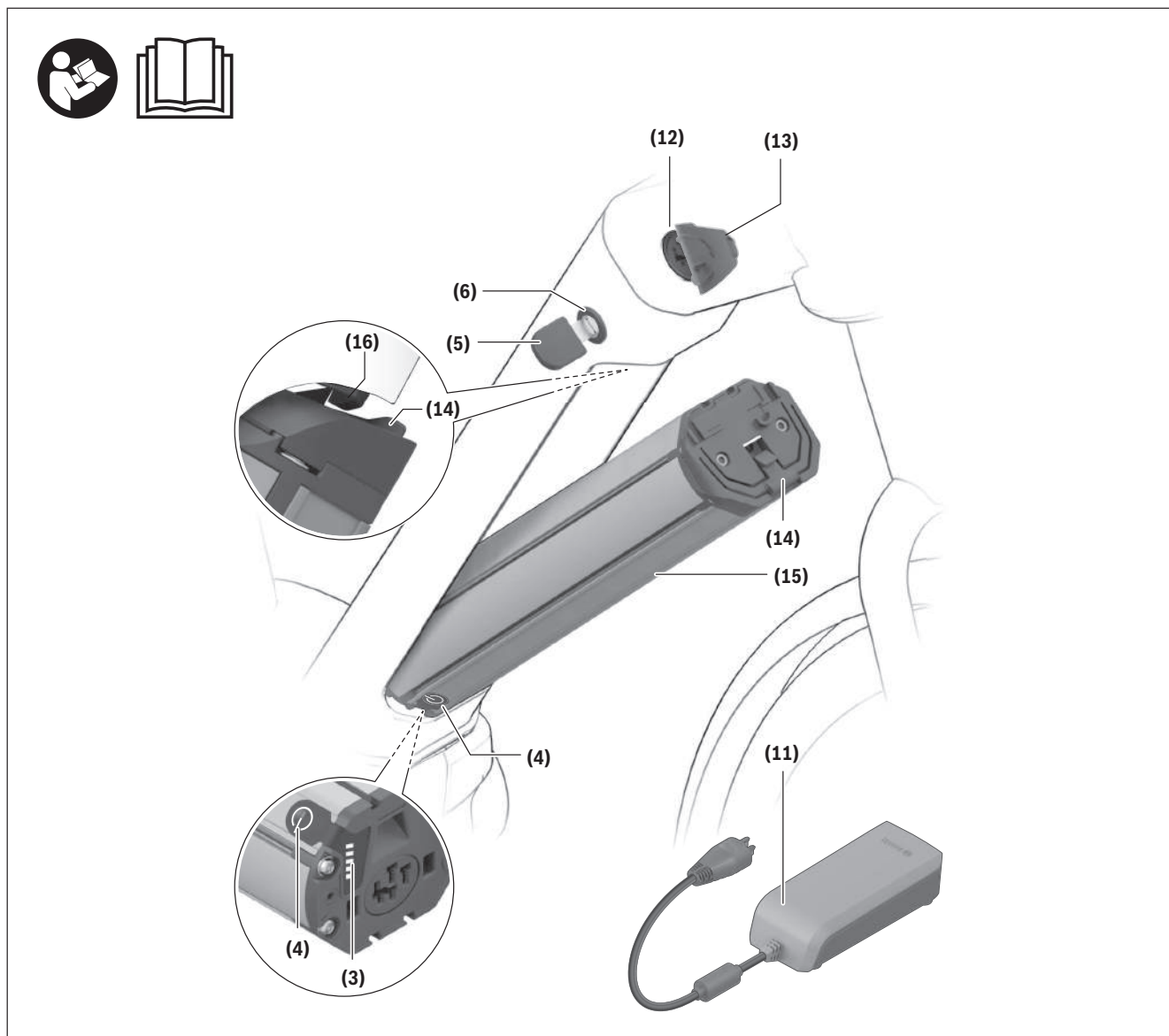


Toutes les représentations des éléments du vélo, à l'exception des éléments de l'eBike, sont schématiques et peuvent être différentes de votre eBike.

- (1) Fixation de la batterie de porte-bagages
- (2) Batterie de porte-bagages
- (3) Indicateur de fonctionnement et d'état de charge
- (4) Touche Marche/Arrêt
- (5) Clé de serrure de la batterie
- (6) Serrure de batterie
- (7) Fixation supérieure pour batterie standard

- (8) Batterie standard
- (9) Fixation inférieure pour batterie standard
- (10) Cache obturateur (seulement fourni pour les VAE à 2 batteries)
- (11) Chargeur
- (12) Prise pour connecteur de charge
- (13) Obturateur de la prise de charge

Caractéristiques des batteries PowerTube



Toutes les représentations des éléments du vélo, à l'exception des éléments de l'eBike, sont schématiques et peuvent être différentes de votre eBike.

- (3)** Indicateur de fonctionnement et d'état de charge
- (4)** Touche Marche/Arrêt
- (5)** Clé de serrure de la batterie
- (6)** Serrure de batterie
- (11)** Chargeur

- (12)** Prise pour connecteur de charge
- (13)** Obturateur de la prise de charge
- (14)** Support de retenue PowerTube
- (15)** Batterie PowerTube
- (16)** Crochet de sécurité PowerTube

Utilisation conforme

Les batteries de VAE Bosch sont uniquement conçues pour l'alimentation électrique de la Drive Unit de votre vélo ; toute autre utilisation est interdite.

Caractéristiques techniques

Batterie Lithium-ion		PowerPack 400	PowerPack 500
Code produit		BBS266 ^{A)} BBR266 ^{B)}	BBS276 ^{A)} BBR276 ^{B)}
– Batterie de porte-bagages		0 275 007 525/526	0 275 007 535/536
Tension nominale	V	36	36
Capacité nominale	Ah	11	13,4
Énergie	Wh	400	500
Températures de fonctionnement	°F	+23 ... +104	+23 ... +104
Températures de stockage	°F	+50 ... +104	+50 ... +104
Plage de températures de charge admissibles	°F	+32 ... +104	+32 ... +104
Poids (approx.)	lb	5,5 ^{A)} /5,7 ^{B)}	5,7 ^{A)} /6,0 ^{B)}
Indice de protection		IP55	IP55

A) Batterie standard

B) Batterie de porte-bagages

Batterie Lithium-ion		PowerTube 400	PowerTube 500	PowerTube 625
Code produit		BBP287 horizontale BBP288 verticale	BBP285 horizontale BBP286 verticale	BBP295 horizontale BBP296 verticale
Tension nominale	V	36	36	36
Capacité nominale	Ah	11	13,4	16,7
Énergie	Wh	400	500	625
Températures de fonctionnement	°F	+23 ... +104	+23 ... +104	+23 ... +104
Températures de stockage	°F	+50 ... +104	+50 ... +104	+50 ... +104
Plage de températures de charge admissibles	°F	+32 ... +104	+32 ... +104	+32 ... +104
Poids (approx.)	lb	6,4	6,4	7,7
Indice de protection		IP55	IP55	IP55

Montage

- **Ne posez la batterie de VAE que sur des surfaces propres.** Évitez tout encrassement de la prise de charge et des contacts électriques, par ex. par du sable ou de la terre.
- **Après avoir inséré la batterie de VAE, bougez-la dans toutes les directions pour s'assurer qu'elle est correctement fixée.**
- **Ne retirez pas la batterie du VAE pendant le processus de charge.** Si vous devez retirer la batterie, interrompez la charge avant de procéder au retrait de la batterie et reprenez la charge une fois que la batterie se trouve dans un état et une surface propice à la charge.

Contrôle de la batterie de VAE avant sa première utilisation

Contrôlez la batterie de VAE avant de la recharger ou de l'utiliser la première fois sur votre vélo électrique.

Appuyez pour cela sur la touche Marche/Arrêt **(4)** pour allumer la batterie de VAE. Si aucune des LED de l'indicateur d'état de charge **(3)** ne s'allume, il se peut que la batterie de VAE soit endommagée.

Si au moins une, mais pas la totalité, des LED de l'indicateur d'état de charge **(3)** s'allume, alors rechargez la batterie de VAE à fond avant la première utilisation.

- **Lorsqu'une batterie de VAE est endommagée, ne la rechargez plus et ne l'utilisez plus.** Adressez-vous à un revendeur de VAE agréé.

Recharge de la batterie de VAE

- **Ne rechargez une batterie de VAE Bosch qu'avec un chargeur de VAE Bosch d'origine.**

Remarque : La batterie de VAE est fournie partiellement chargée. Pour disposer de la pleine puissance, rechargez-la complètement avec le chargeur avant sa première utilisation.

Pour charger la batterie de VAE, lisez et observez les indications de la notice d'utilisation du chargeur.

La batterie de VAE peut être rechargée quel que soit son niveau de charge. Le fait d'interrompre le processus de charge n'endommage pas la batterie de VAE. La batterie de VAE est dotée d'une surveillance de température interdisant toute recharge en dehors de la plage de températures allant de **32 °F à 104 °F**.



Si la batterie de VAE se trouve à l'extérieur de la plage de températures de charge admissible, trois des LED de l'indicateur d'état de charge **(3)** clignotent. Débranchez la batterie du chargeur et attendez qu'elle revienne dans la plage de températures admissibles.

⚠ ATTENTION

- **Ne connectez pas la batterie au chargeur avant qu'elle ait atteint la température de charge admissible.**

Indicateur d'état de charge (visible après retrait de la batterie de VAE)

Les cinq LED de l'indicateur d'état de charge **(3)** indiquent le niveau de charge de la batterie de VAE, quand celle-ci est allumée.

Chaque LED correspond à environ 20 % de niveau de charge. Quand la batterie de VAE est complètement chargée, les cinq LED sont allumées.

Quand la batterie de VAE est allumée, son niveau de charge s'affiche en outre sur l'écran de l'ordinateur de bord. Lisez et observez pour cela la notice d'utilisation de la Drive Unit et de l'ordinateur de bord.

Lorsque la capacité de la batterie de VAE est inférieure à 10 %, la dernière LED restante clignote.

Quand le niveau de charge de la batterie est inférieur à 5 %, toutes les LED de l'indicateur d'état de charge **(3)** de la batterie de VAE sont éteintes mais il reste encore une fonction d'affichage sur l'ordinateur de bord.

Au terme de la charge, déconnectez la batterie de VAE du chargeur et le chargeur du secteur.

Utilisation de deux batteries sur un même VAE (optionnel)

Certains vélos électriques sont dotés de deux batteries de VAE. En pareil cas, l'une des prises de charge n'est pas accessible ou obturée par un cache. Ne chargez les batteries de VAE qu'au niveau de la prise de charge accessible.

► **N'ouvrez jamais la prise de charge qui a été obturée par le fabricant.** Le fait d'utiliser la prise de charge intentionnellement obturée par le fabricant risque de causer des dommages irréparables.

En cas d'utilisation d'une seule batterie de VAE sur un vélo prévu pour deux batteries, placez le cache obturateur **(10)** fourni au-dessus des contacts nus de la batterie de VAE non utilisée pour écarter tout risque de court-circuit.

Processus de charge en présence de deux batteries de VAE

En présence de deux batteries de VAE sur le vélo, les deux batteries de VAE peuvent être rechargées au niveau de la prise électrique non obturée. Les deux batteries de VAE sont d'abord chargées l'une après l'autre à env. 80–90 % puis en parallèle jusqu'à leur recharge complète (les LED des deux batteries de VAE clignotent).

Pendant la conduite, les deux batteries de VAE se déchargent en alternance.

Il est également possible de recharger séparément chaque batterie de VAE en la sortant de sa fixation.

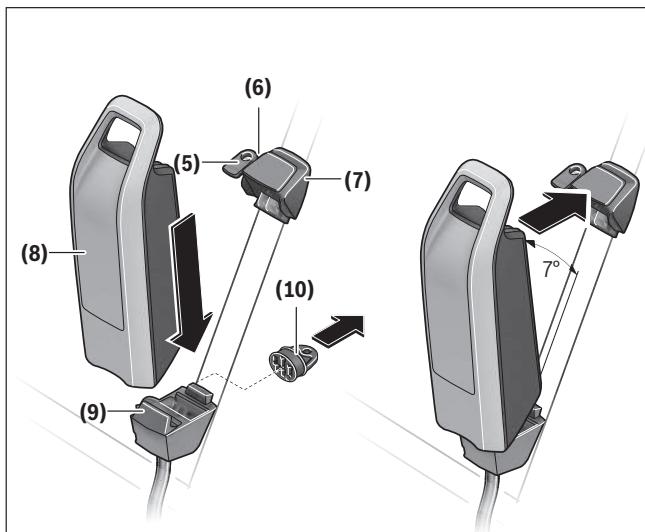
Processus de charge en cas d'utilisation d'une seule batterie de VAE

En cas d'utilisation d'une seule batterie de VAE, vous ne pouvez recharger sur le vélo que la batterie dont la prise de charge est accessible. Pour recharger la batterie de VAE dont la prise de charge est obturée, il faut la sortir de son support de fixation.

Mise en place et retrait de la batterie de VAE

- ▶ **Éteignez toujours le VAE et la batterie VAE avant d'insérer la batterie dans sa fixation ou de l'extraire.**
- ▶ **Après avoir inséré la batterie de VAE, bougez-la dans toutes les directions pour s'assurer qu'elle est correctement fixée.**

Mise en place et retrait de la batterie standard



Pour pouvoir mettre en place la batterie, la clé (5) doit se trouver dans la serrure (6) et la serrure doit être ouverte.

Pour **mettre en place une batterie standard (8)**, positionnez-la, côté contacts électriques, sur la fixation inférieure (9) du vélo électrique (en l'inclinant jusqu'à 7° par rapport au cadre). Basculez-la ensuite vers l'arrière jusqu'à ce qu'elle s'enclenche de manière audible dans la fixation supérieure (7).

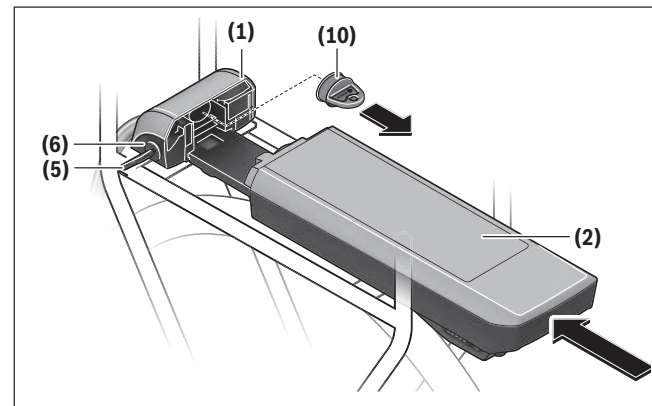
- ▶ **Vérifiez toujours que la batterie est correctement verrouillée dans sa fixation.** Pour cela, tirez sur la batterie (après avoir retiré la clé).

Fermez ensuite toujours la serrure (6) pour que la batterie de VAE ne puisse pas s'extraire de sa fixation. Après avoir fermé la serrure à clé, retirez toujours la clé (5) de la serrure (6). La clé ne risque ainsi pas de tomber et la batterie de VAE ne peut pas être retirée

par une tierce personne quand le vélo électrique est garé.

Pour **extraire une batterie standard (8)**, éteignez-la puis ouvrez la serrure avec la clé (5). Délogez la batterie de VAE de la fixation supérieure (7) en la basculant et dégagez-la de la fixation inférieure (9).

Mise en place et retrait de la batterie de porte-bagages



Pour pouvoir mettre en place la batterie, la clé (5) doit se trouver dans la serrure (6) et la serrure doit être ouverte.

Pour **mettre en place une batterie de porte-bagages (2)**, glissez-la, côté contacts, dans la fixation (1) du porte-bagages jusqu'à ce qu'elle s'enclenche de manière audible.

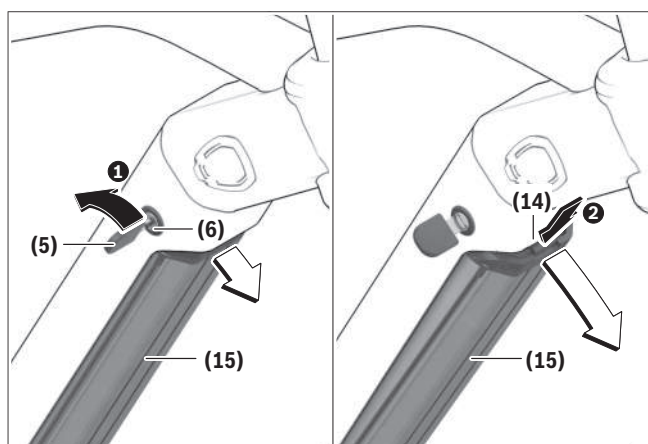
- ▶ **Vérifiez toujours que la batterie est correctement verrouillée dans sa fixation.** Pour cela, tirez sur la batterie (après avoir retiré la clé).

Fermez ensuite toujours la serrure (6) pour que la batterie ne puisse pas s'extraire de sa fixation.

Après avoir fermé la serrure à clé, retirez toujours la clé (5) de la serrure (6). La clé ne risque ainsi pas de tomber et la batterie de VAE ne peut pas être retirée par une tierce personne quand le vélo électrique est garé.

Pour **extraire une batterie de porte-bagages (2)**, éteignez-la puis ouvrez la serrure avec la clé (5). Délogez la batterie de son support de fixation (1).

Retrait de la batterie PowerTube



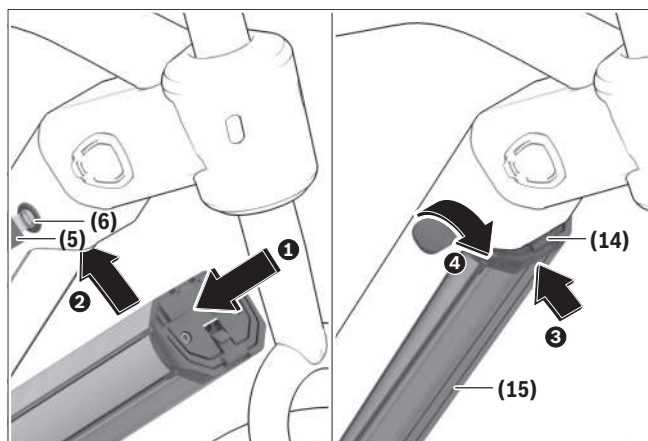
- ❶ Pour retirer la batterie PowerTube (15), ouvrez la serrure (6) avec la clé (5). La batterie se déverrouille et tombe dans le mécanisme de retenue (14).

Remarque : Prenez soin de retenir la batterie de VAE avec une main lors de son retrait.

- ❷ Maintenez la batterie fermement avec une main et appuyez par le haut sur le mécanisme de retenue (14). La batterie se déverrouille complètement et tombe dans votre main. Dégagez ensuite la batterie du cadre.

Remarque : En raison de **différences** possibles au niveau de la réalisation, il se peut que la marche à suivre pour la mise en place et le retrait de la batterie diffère quelque peu. Lisez la notice d'utilisation de votre vélo électrique pour en savoir plus.

Mise en place de la Batterie PowerTube



Pour pouvoir mettre en place la batterie, la clé (5) doit se trouver dans la serrure (6) et la serrure doit être ouverte.

- ❶ Pour mettre en place la batterie PowerTube (15), positionnez-la, côté contacts électriques, dans la fixation inférieure du cadre.
- ❷ Maintenez la serrure ouverte avec la clé et basculez la batterie vers le haut jusqu'à ce qu'elle soit maintenue en place par le mécanisme de retenue (14).
- ❸ Relâchez la clé et poussez la batterie vers le haut jusqu'à ce qu'elle s'enclenche de manière audible.
- ❹ Fermez ensuite la serrure (6) pour que la batterie ne puisse pas s'extraire de sa fixation.

► **Vérifiez toujours que la batterie est correctement verrouillée dans sa fixation.** Pour cela, tirez sur la batterie (après avoir retiré la clé).

Après avoir fermé la serrure, retirez toujours la clé (5) de la serrure (6). La clé ne risque ainsi pas de tomber et la batterie de VAE ne peut pas être retirée par une tierce personne quand le vélo électrique est garé.

Fonctionnement

Mise en marche

- **N'utilisez que les batteries de VAE Bosch d'origine autorisées par le fabricant de votre vélo électrique.** L'utilisation de toute autre batterie de VAE peut entraîner des blessures et des risques d'incendie. Bosch décline toute responsabilité et exclut tout droit à garantie en cas d'utilisation d'autres batteries de VAE.

Mise en marche/arrêt

L'une des façons d'activer le VAE consiste à allumer la batterie. Lisez et observez pour cela la notice d'utilisation de la Drive Unit et de l'ordinateur de bord.

Avant d'allumer la batterie de VAE ou d'activer le vélo électrique, vérifiez si la serrure **(6)** est fermée à clé.

Pour **allumer** la batterie de VAE, appuyez sur la touche Marche/Arrêt **(4)**. N'utilisez pas d'objet pointu ou tranchant pour appuyer sur la touche. Les LED de l'indicateur **(3)** s'allument et indiquent en même temps le niveau de charge.

- **Vérifiez toujours que la batterie est correctement verrouillée dans sa fixation.** Pour cela, tirez sur la batterie (après avoir retiré la clé).

Remarque : Quand le niveau de charge de la batterie de VAE est inférieur à 5 %, toutes les LED de l'indicateur d'état de charge **(3)** sont éteintes sur la batterie. Seul l'ordinateur de bord/la commande déportée permet de savoir si le vélo électrique est activé ou non. Pour **éteindre** la batterie de VAE, appuyez à nouveau sur la touche Marche/Arrêt **(4)**. Les LED de l'indicateur **(3)** s'éteignent. Le vélo électrique s'éteint alors lui aussi.

Si la Drive Unit n'est pas sollicitée pendant **10** minutes (du fait par ex. que le vélo est à l'arrêt) et que dans le même temps aucune touche de l'ordinateur de bord ou de la commande déportée du VAE n'est actionnée, le VAE s'éteint automatiquement.

La batterie de VAE est protégée contre les décharges complètes, les surcharges, la surchauffe et les courts-circuits par " Electronic Cell Protection (ECP) " (l'électronique de protection des cellules). En cas de danger, un circuit de protection éteint automatiquement la batterie de VAE.



En cas de détection d'un défaut au niveau de la batterie de VAE, deux des LED de l'indicateur d'état de charge **(3)** clignotent. Adressez-vous alors à un revendeur de VAE agréé.

Comportement en cas de dysfonctionnement de la batterie de VAE

Il est interdit d'ouvrir la batterie de VAE Bosch, même à des fins de réparation. La batterie risque alors de prendre feu, p. ex. suite à un court-circuit. Ce risque existe aussi ultérieurement, lors de la réutilisation d'une batterie de VAE Bosch ayant été ouverte ce serait-ce **qu'une seule** fois.

En cas de dysfonctionnement de la batterie de VAE, ne la faites pas réparer mais demandez à votre revendeur qu'il la remplace par une batterie Bosch d'origine.

Transport

- **Si vous devez transporter votre vélo électrique à l'extérieur de votre voiture, par exemple, sur une galerie de toit, retirez l'ordinateur de bord et la batterie de VAE afin d'éviter qu'ils soient endommagés.**

Les batteries de VAE sont soumises à la réglementation relative au transport de matières dangereuses. Lors d'un transport par des tiers (par ex. transport aérien ou entreprise de transport), des prescriptions particulières en matière d'emballage et de marquage doivent être observées (par ex. les prescriptions de

l'ADR). Au besoin, faites appel à un expert en transport de matières dangereuses.

N'expédiez pas ou ne transportez pas une batterie endommagée et respectez impérativement la législation relative à l'expédition des batteries Lithium-Ion. En cas de non-respect de cet avertissement ou de la réglementation, il y a risque d'incendie pendant le transport, de blessures graves voir mortelles du personnel ou d'autres personnes. Il y a également risque de détérioration de véhicules ou d'équipements de transport, pour lesquels vous pouvez être tenu civilement et pénalement responsable. Pour expédier une batterie de VAE, utilisez uniquement l'emballage d'origine de la batterie. Recouvrez les contacts électriques à nu avec du ruban adhésif et calez la batterie à l'intérieur de l'emballage de façon à ce qu'elle ne puisse pas bouger. Informez le transporteur que l'em-

ballage contient des marchandises dangereuses. Consultez toujours les réglementations nationales ou fédérales en vigueur avant d'expédier une batterie.

- ▶ **Utilisez toujours un porte-vélos compatible et approuvé lorsque vous transportez votre eBike. Le système d'entraînement Bosch représente un poids supplémentaire pour votre vélo.** Reportez-vous au manuel de votre porte-vélo pour vous assurer que votre eBike est compatible. L'excès de poids sur un porte-vélos peut entraîner des blessures graves ou mortelles.
- ▶ **Utilisez des techniques de levage correctes car les vélos électriques sont généralement plus lourds que les vélos traditionnels.**

Pour toute question concernant le transport des batteries de VAE, adressez-vous à un revendeur de VAE agréé.

Maintenance/nettoyage

⚠ AVERTISSEMENT

- ▶ **N'ouvrez pas et ne déformez pas le boîtier de la batterie et/ou n'apportez aucune modification à la batterie. La batterie ne contient aucun composant remplaçable par l'utilisateur.** En ouvrant la batterie, vous vous mettriez en danger.
- ▶ **Arrêtez toujours l'accu lorsque vous le montez ou le retirez de son support.** Ne tentez jamais de monter ni de retirer l'accu lorsque vous roulez à vélo.
- ▶ **Ne plongez pas les composants du VAE dans de l'eau et ne les lavez pas avec un nettoyeur sous pression.** La batterie est étanche à l'eau de pluie mais pas aux jets d'eau sous pression.
- ▶ **Notez le nom du fabricant et le numéro de la clé.** Si vous perdez les clés, contactez un revendeur eBike Bosch autorisé. Veuillez fournir le nom du fabricant et le numéro de la clé.
- ▶ **N'appliquez pas de produit de nettoyage, de peinture ou de produits chimiques sur les composants du système d'entraînement Bosch pour**

éviter toute défaillance prématurée et préserver ainsi leur durée de vie.

Service après-vente et conseil utilisateurs

Pour toute question concernant les batteries de VAE, adressez-vous à un revendeur de VAE agréé.

- ▶ **Notez le fabricant et le numéro de la clé (5).** Au cas où vous perdriez la clé, adressez-vous à un vélociste agréé. Indiquez-lui le fabricant et le numéro de la clé.

Vous trouverez les données de contact de vélocistes agréés sur le site internet www.bosch-ebike.com.



Vous trouverez d'autres informations sur les composants VAE et leurs fonctions dans le Bosch eBike Help Center.

Nettoyage

- ▶ **Ne pas plonger la batterie dans l'eau et ne la nettoyez pas avec un nettoyeur haute pression.**

Maintenez tous les éléments de votre vélo électrique propres, surtout les contacts de l'accu et les supports de fixation. Ne plongez pas dans l'eau les éléments, y compris l'unité de l'entraînement et ne les nettoyez

pas à l'aide d'un nettoyeur haute pression. Nettoyez les soigneusement à l'aide d'un chiffon doux et humide (en utilisant uniquement du savon doux et de l'eau).

Gardez la batterie de VAE propre et évitez tout contact avec des produits de soin de la peau, de la

crème solaire et des insecticides. Nettoyez-la avec précaution avec un chiffon doux humide.

Nettoyez occasionnellement les pôles du connecteur et graissez-les légèrement. Utilisez pour cela de la vaseline médicale ou technique.

Si la batterie de VAE ne fonctionne plus, adressez-vous à un revendeur agréé.

Stockage

La durée de vie de la batterie de VAE peut être prolongée si elle est bien entretenue et surtout si elle est utilisée et stockée à des températures appropriées.

Toutefois, en dépit d'un bon entretien, la capacité de la batterie de VAE se réduira avec l'âge.

Si l'autonomie de la batterie de VAE diminue fortement au fil des recharges, c'est que la batterie est arrivée en fin de vie et qu'elle doit être remplacée. Vous pouvez la remplacer vous-même en achetant une batterie de VAE Bosch d'origine auprès d'un vélociste agréé.

Recharge d'une batterie de VAE avant et pendant son stockage

Avant une longue durée de non-utilisation de votre vélo (plus de 3 mois), rechargez la batterie de VAE à environ 30 %–60 % (correspond à l'allumage de 2 à 3 LED de l'indicateur de l'état de charge **(3)**).

Contrôlez le niveau de charge après 6 mois. Au cas où une seule des LED de l'indicateur d'état de charge **(3)** est allumée, rechargez la batterie de VAE à environ 30 %–60 %.

Remarque : Une batterie de VAE qui reste déchargée pendant une durée prolongée risque de se détériorer malgré sa faible autodécharge et sa capacité peut être considérablement réduite.

Conditions de stockage

Dans la mesure du possible, rangez la batterie de VAE dans un endroit sec et bien aéré. Protégez-la de l'humidité et de l'eau. Dans des conditions climatiques défavorables, il est recommandé de retirer la batterie du vélo électrique et de la ranger dans un local fermé jusqu'à la prochaine utilisation.

Si la batterie est intégrée dans le cadre, ne laissez pas le VAE à l'extérieur, rangez-le dans un local à l'intérieur.

Lieux **à proscrire** pour le rangement et le stockage des batteries de VAE :

- dans des locaux non équipés d'un détecteur de fumées
- à proximité de matières combustibles ou facilement inflammables
- à proximité de radiateurs de chauffage et d'autres sources de chaleur
- dans des véhicules fermés (surtout en été)
- endroits directement exposés au soleil




Pour prolonger la durée de vie d'une batterie de VAE, rangez-la à la température ambiante.

Évitez à tout prix les températures inférieures à **14 °F** ou supérieures à **140 °F**.

Veillez à ne pas dépasser la température de stockage maximale admissible.

► **Veillez à ce que la batterie et les connexions électriques (connexions de charge) restent propres et sèches. Ne recouvrez pas la batterie et le chargeur et ne placez aucun objet au-dessus.**

Résolution des problèmes

Cause	Remède
 <p>Batterie défectueuse</p>	<p>Deux LED de la batterie de VAE clignotent. Adressez-vous à un revendeur de VAE agréé.</p>
 <p>La batterie est trop chaude ou trop froide</p>	<p>Trois LED de la batterie de VAE clignotent. Déconnectez la batterie de VAE du chargeur jusqu'à ce qu'elle revienne dans la plage de températures de charge admissible. Ne rebranchez la batterie de VAE au chargeur qu'une fois qu'elle se trouve à nouveau dans la plage de températures admissible.</p>
 <p>Le chargeur ne charge pas.</p>	<p>Aucune LED ne clignote (selon le niveau de charge de la batterie, une ou plusieurs LED sont allumées en permanence). Adressez-vous à un revendeur de VAE agréé.</p>
<p>Recharge impossible (pas d'affichage sur la batterie de VAE)</p>	
<p>Le câble n'est pas correctement branché</p>	<p>Contrôlez tous les connecteurs.</p>
<p>Contacts de la batterie de VAE encrassés</p>	<p>Nettoyez avec précaution les contacts électriques de la batterie de VAE.</p>
<p>Prise de courant, câble ou chargeur défectueux</p>	<p>Vérifiez la tension du secteur, faites contrôler le chargeur par un revendeur de VAE.</p>
<p>Batterie de VAE défectueuse</p>	<p>Adressez-vous à un revendeur de VAE agréé.</p>

Programme de recyclage des accus



Les batteries de VAE ainsi que leurs accessoires et emballages doivent être rapportés à un centre de recyclage respectueux de l'environnement.

Ne jetez pas les systèmes eBike et leurs éléments constitutifs dans les ordures ménagères !

Ne jetez pas une batterie de VAE ou toute autre batterie Lithium-Ion usagée avec les ordures ménagères ou dans un conteneur à déchets public. Les batteries jetées avec les ordures ménagères risquent de subir des dommages pouvant provoquer un incendie, des blessures graves voir mortelles, des dégâts matériels ou une pollution de l'environnement.

Avant de mettre au rebut une batterie, appliquez du ruban adhésif autour des surfaces de contact des pôles.

Ne saisissez pas les batteries de VAE fortement endommagées avec les mains car de l'électrolyte risque de s'échapper et de provoquer des brûlures de la peau. Conservez la batterie défectueuse dans un lieu sûr à l'extérieur. Recouvrez les pôles avec du ruban adhésif et informez votre revendeur. Il vous indiquera comment vous débarrasser de la batterie en conformité avec la législation.



Pour recycler votre batterie Bosch, appelez le 1.800.822.8837.

Índice

Introducción	2
Acerca de las advertencias	2
Advertencias generales	2
Utilización de sus Instrucciones de servicio	3
Etiquetas de advertencia en el producto	4
Manejo de las baterías de litio	5
Indicaciones de seguridad para acumuladores de eBikes de Bosch	5
Descripción del producto y servicio	8
Montaje.....	11
Operación	15
Transporte.....	15
Mantenimiento/Limpieza	16
Almacenamiento	17
Resolución de problemas	18
Programa de reciclaje de baterías	19

Introducción

Algunos contenidos se publican bajo licencia de **PeopleForBikes Coalition, LTD.**

Acerca de las advertencias

Este manual contiene muchos **PELIGROS, ADVERTENCIAS**, y **PRECAUCIONES** sobre las consecuencias de una falta de uso, montaje, mantenimiento, almacenamiento, inspección y eliminación de una eBike equipada por Bosch de modo seguro.

- La combinación del símbolo de alerta de seguridad y la palabra **PELIGRO** indica una situación peligrosa que, si no se evita, ocasionará la muerte o lesiones graves.

- La combinación del símbolo de alerta de seguridad y la palabra **ADVERTENCIA** indica una situación peligrosa que, si no se evita, podría provocar la muerte o lesiones graves.
- La combinación del símbolo de alerta de seguridad y la palabra **PRECAUCIÓN** indica una situación peligrosa que, si no se evita, podría ocasionar lesiones leves o moderadas.

Advertencias generales



Lea todas las advertencias de seguridad y todas las instrucciones. El incumplimiento de las advertencias e instrucciones puede provocar la muerte, daños materiales o lesiones graves.

Guarde todas las indicaciones de seguridad e instrucciones para posibles consultas futuras.

El término **Batería para eBike** utilizado en estas instrucciones de servicio se refiere a todas las baterías originales para eBikes de Bosch.

- ▶ **Lea TODOS los manuales incluidos antes de montar en la bicicleta por primera vez.** Su sistema de accionamiento de Bosch incluye manuales y documentación adicionales proporcionados por el fabricante de la bicicleta y de otros componentes. No leer o desconocer la información de seguridad puede provocar la muerte o lesiones graves.

⚠ ADVERTENCIA

- ▶ **Este manual contiene información importante de seguridad, rendimiento y mantenimiento.** Léalo antes de usar su nueva bicicleta y guárdelo a modo de referencia. Puede encontrar el manual también en línea en www.bosch-ebike.com.

- ▶ **Este manual está previsto para su lectura junto con el manual de usuario aparte que venía con su bicicleta.** Antes de usar la bici por primera vez, asegúrese de leer toda la documentación facilitada, incluidas las etiquetas que lleva el producto.
- ▶ **Por su propia SEGURIDAD, sea responsable.** Si tiene dudas o no entiende algo, consúltelo con su distribuidor o con el fabricante de la bicicleta o del componente.
- ▶ **Algunos accesorios de la eBike pueden suponer un peligro de atragantamiento para los niños pequeños.** Mantenga esos accesorios alejados de los niños.

⚠ PRECAUCIÓN

- ▶ **El sistema de accionamiento de Bosch incrementa el peso de su bicicleta, que puede que no esté acostumbrado a levantar.** Evite las lesiones; utilice técnicas de elevación adecuadas.

Utilización de sus Instrucciones de servicio

Además de las funciones aquí representadas, puede ser que se introduzcan en cualquier momento modificaciones de software para la eliminación de errores y modificaciones de funciones.

Gráficos

La bicicleta que se muestra en este manual puede diferir ligeramente de la suya; no obstante, las similitudes son suficientes para ayudarle a entender nuestras instrucciones.

Los lados DERECHO e IZQUIERDO se indican mirando en el sentido que la bicicleta tendrá al circular hacia delante. Si ve una línea discontinua (-----), el elemento al que se refiere está oculto a la vista.

Etiquetas de advertencia en el producto

A

⚠️ WARNING To reduce the risk of injury, explosion, or fire, user must read instruction manual. • Do not crush, puncture, disassemble, short terminals, or dispose in fire. • Do not use battery once it has been impacted, sustained water damage or visibly damaged. • Charge battery only with Bosch eBike chargers. • Remove battery when using vehicle bike rack!

⚠️ AVERTISSEMENT L'utilisateur doit lire le mode d'emploi pour réduire le risque de blessure, explosion ou d'incendie. • Ne pas écraser, perforer, démonter, court-circuiter les bornes ou jeter dans un feu. • Ne pas réutiliser la pile si elle a subi un choc, des dégâts causés par l'eau ou d'autres dommages visibles. • Ne charger la pile qu'avec un chargeur Bosch eBike. • Retirez la batterie avant le transport sur le porte-vélos.

■ 주의사항: 1.사용전 반드시 사용설명서를 읽어주시기 바랍니다.
2.비오는 날이나 가연성 폭발물 근처에서는 사용하지 마세요.

⚠️ 警告

使用前に取扱説明書を読むこと
分解、改造、端子の短絡、火気への投入禁止
故障が疑われる時は使用を停止する
専用充電器を使用すること
車で運搬時はバッテリーを取り外すこと



Li-ion 20









B

BOSCH
Robert Bosch GmbH
72757 Reutlingen
Germany
www.bosch-ebike.com











⚠️ WARNING To reduce the risk of injury, explosion, or fire, user must read instruction manual. • Do not crush, puncture, disassemble, short terminals, or dispose in fire. • Do not use battery once it has been impacted, sustained water damage or visibly damaged. • Charge battery only with Bosch eBike chargers.

⚠️ AVERTISSEMENT L'utilisateur doit lire le mode d'emploi pour réduire le risque de blessure, explosion ou d'incendie. • Ne pas écraser, perforer, démonter, court-circuiter les bornes ou jeter dans un feu. • Ne pas réutiliser la pile si elle a subi un choc, des dégâts causés par l'eau ou d'autres dommages visibles. • Ne charger la pile qu'avec un chargeur Bosch eBike.



⚠️ 警告

使用前に取扱説明書を読むこと
分解、改造、端子の短絡、火気への投入禁止
故障が疑われる時は使用を停止すること

専用充電器を使用すること

⚠️ 경고, 警告

주의사항: 1.사용전 반드시 사용설명서를 읽어주시기 바랍니다.
2.비오는 날이나 가연성 폭발물 근처에서는 사용하지 마세요.

電動輔助自行車用二次鋰電池組 依照說明書指示使用電池, 使用專用充電器, 廢電池請回收



- A Indicaciones de seguridad para PowerPack
- B Indicaciones de seguridad para PowerTube
- ▶ **Para la protección del usuario, se han colocado etiquetas de advertencia en el sistema eBike de Bosch. Lea y siga las instrucciones de las etiquetas del producto con atención. Si una etiqueta deja de ser legible o se despega, póngase en contacto con su proveedor de bicicletas de Bosch para obtener otra de repuesto. Bosch proporciona etiquetas de seguridad de repuesto de forma gratuita.**

0 275 U07 XPX | (13.03.2024)

Bosch eBike Systems

Manejo de las baterías de litio

Indicaciones de seguridad para acumuladores de eBikes de Bosch



Lea y conozca todas las indicaciones de seguridad y las instrucciones. No seguir las advertencias siguientes puede provocar la muerte o lesiones graves.

Guarde todas las indicaciones de seguridad e instrucciones para posibles consultas futuras.

El término **Batería para eBike** utilizado en estas instrucciones de servicio se refiere a todas las baterías originales para eBikes de Bosch.

- ▶ **Lea y siga todas las indicaciones de seguridad e instrucciones de todos las instrucciones de servicio de los componentes de la eBike, así como las instrucciones de servicio de su eBike.**
- ▶ **Se recomienda que revise periódicamente esta información para asegurarse de que sigue todas las recomendaciones para el uso seguro de este producto.** El uso, almacenamiento o carga inadecuados de la batería pueden provocar un sobrecalentamiento que podría causar un incendio repentino y grave con daños materiales, lesiones graves o incluso la muerte.

⚠ PELIGRO

- ▶ **No perforo ni aplaste el paquete de baterías. No golpee ni deje caer el paquete de baterías, ni lo modifique de ninguna manera.** No utilice el paquete de baterías si presenta daños visibles. Peligro de incendio o explosión que puede causar la muerte o lesiones graves.



Proteja la batería contra el calor (p.ej. temperatura > 140 °F), fuego e inmersión en agua. Peligro de explosión.

⚠ ADVERTENCIA

- ▶ **Utilice solo paquetes de baterías originales de Bosch aprobados para su eBike por el fabricante y comprados en una fuente confiable.** El uso de

paquetes de baterías no aprobados o falsificados puede provocar la muerte o lesiones graves.

- ▶ **Extraiga la batería de la eBike antes de empezar cualquier trabajo en ella (p. ej. inspección, reparación, montaje, mantenimiento, trabajos en la cadena, etc.), al transportarla con el coche o en un avión, o en caso de almacenarla.** Existe peligro de lesiones si se activa involuntariamente la eBike.
- ▶ **No intente abrir la batería de la eBike.** Podría provocar un cortocircuito.
- ▶ **Si no utiliza la batería de la eBike, guárdela separada de clips, monedas, llaves, clavos, tornillos o demás objetos metálicos que pudieran puentear sus contactos.** El cortocircuito de los contactos puede causar quemaduras o un incendio.
- ▶ **Evite las cargas mecánicas o una fuerte acción del calor.** Ésto podría dañar los elementos de batería y conducir a la salida de materiales contenidos inflamables.
- ▶ **No coloque el cargador o la batería de la eBike cerca de materiales inflamables. Asegúrese de que la batería de la eBike esté completamente seca y colocada sobre una superficie limpia, seca, plana y no inflamable.** Existe un riesgo de incendio debido al calor generado durante la carga.
- ▶ **La batería de la eBike no debe dejarse sin vigilancia mientras se carga, especialmente durante la noche.** Una vez que la batería esté completamente cargada, desconecte el cargador de la batería. No deje la batería conectada al cargador durante un periodo de tiempo prolongado después de que haya alcanzado la carga completa.
- ▶ **La utilización inadecuada de la batería de la eBike puede provocar fugas de líquido. Evite el contacto con él. En caso de un contacto enjuagar con abundante agua. En caso de un contacto del líquido con los ojos recurra además inmediata-**

mente a un médico. El líquido puede irritar la piel o producir quemaduras.

- ▶ **Las baterías de las eBikes no deben someterse a golpes mecánicos, vibraciones excesivas o peso excesivo de objetos colocados sobre la batería.** Existe el riesgo de que se dañe la batería de la eBike.
- ▶ **Si se daña la batería de la eBike o se utiliza de forma indebida, pueden salir vapores. En tal caso, busque un entorno con aire fresco y acuda a un médico si nota molestias.** Los vapores pueden irritar las vías respiratorias.
- ▶ **Cargue la batería de la eBike solamente con cargadores originales de Bosch.** Al utilizar cargadores que no sean originales Bosch no puede excluirse un peligro de incendio.
- ▶ **Utilice la batería de la eBike únicamente en combinación con eBikes con sistema de propulsión de eBike original de Bosch.** Solamente así queda protegida la batería de la eBike frente a una sobrecarga peligrosa.
- ▶ **Utilice únicamente baterías originales de eBike de Bosch autorizadas por el fabricante para su eBike.** El uso de otro tipo de baterías de eBikes puede acarrear lesiones e incluso un incendio. Si se usan baterías de eBikes de otro tipo, Bosch declina cualquier responsabilidad y el derecho a garantía.
- ▶ **No cargue ni utilice la eBike en lugares con una atmósfera potencialmente explosiva, como gasolineras, ni en zonas en las que el aire contenga productos químicos o partículas (como semillas, polvo o polvo de metales).** Obedezca todas las señales e instrucciones.
- ▶ **No utilice el acumulador del portaequipajes como asidero.** Si levanta la eBike por la batería, esta puede dañarse.
- ▶ **Mantenga la batería y el cargador fuera del alcance de niños y animales. A menos que sean supervisados o instruidos sobre el uso adecuado/responsable, los niños o las personas que carezcan de la experiencia o los conocimientos nece-**

sarios para utilizar la batería y el cargador de forma segura no deben quedar desatendidos con la batería y el cargador. Existe un riesgo significativo de lesiones personales y/o daños.

La seguridad tanto de nuestros clientes como de nuestros productos es importante para nosotros. Nuestras baterías para eBikes son baterías de iones de litio que han sido desarrolladas y fabricadas de acuerdo con la tecnología más avanzada. Cumplimos o superamos los requisitos de todas las normas de seguridad pertinentes. Cuando están dañadas, mal cargadas o se utilizan de forma incorrecta, las baterías de iones de litio son susceptibles de liberar una energía incontrolable que puede provocar un incendio repentino y grave. Por lo general, un incendio provocado por una batería de iones de litio no puede apagarse hasta que se agote la energía que contiene. Por lo tanto, el uso, la carga, la descarga, el cuidado, el mantenimiento, el almacenamiento y el transporte adecuados son fundamentales para el uso perdurable de la batería y la seguridad del usuario y de los demás.

- ▶ **Los terminales del puerto de carga de la batería y/o el enchufe del cargador pueden contaminarse. La conexión repetida de terminales contaminados puede desgastar y dañar los terminales.** Limpie a fondo antes de conectar el cargador.
- ▶ **No toque los terminales de la batería ni del cargador durante una tormenta eléctrica por si cae un rayo.**
- ▶ **Respete siempre la temperatura de funcionamiento, carga y almacenamiento del cargador y de la batería.**
- ▶ **No utilice un transformador de corriente para cargar la batería desde una toma de corriente auxiliar de 12 voltios de un vehículo.** Un voltaje incorrecto o excesivo puede provocar un sobrecalentamiento, lo que puede dañar la batería y reducir su vida útil o provocar un incendio repentino y grave.
- ▶ **Si la batería se calienta demasiado, empieza a emitir humo, llamas o un olor fuerte, muestra al-**

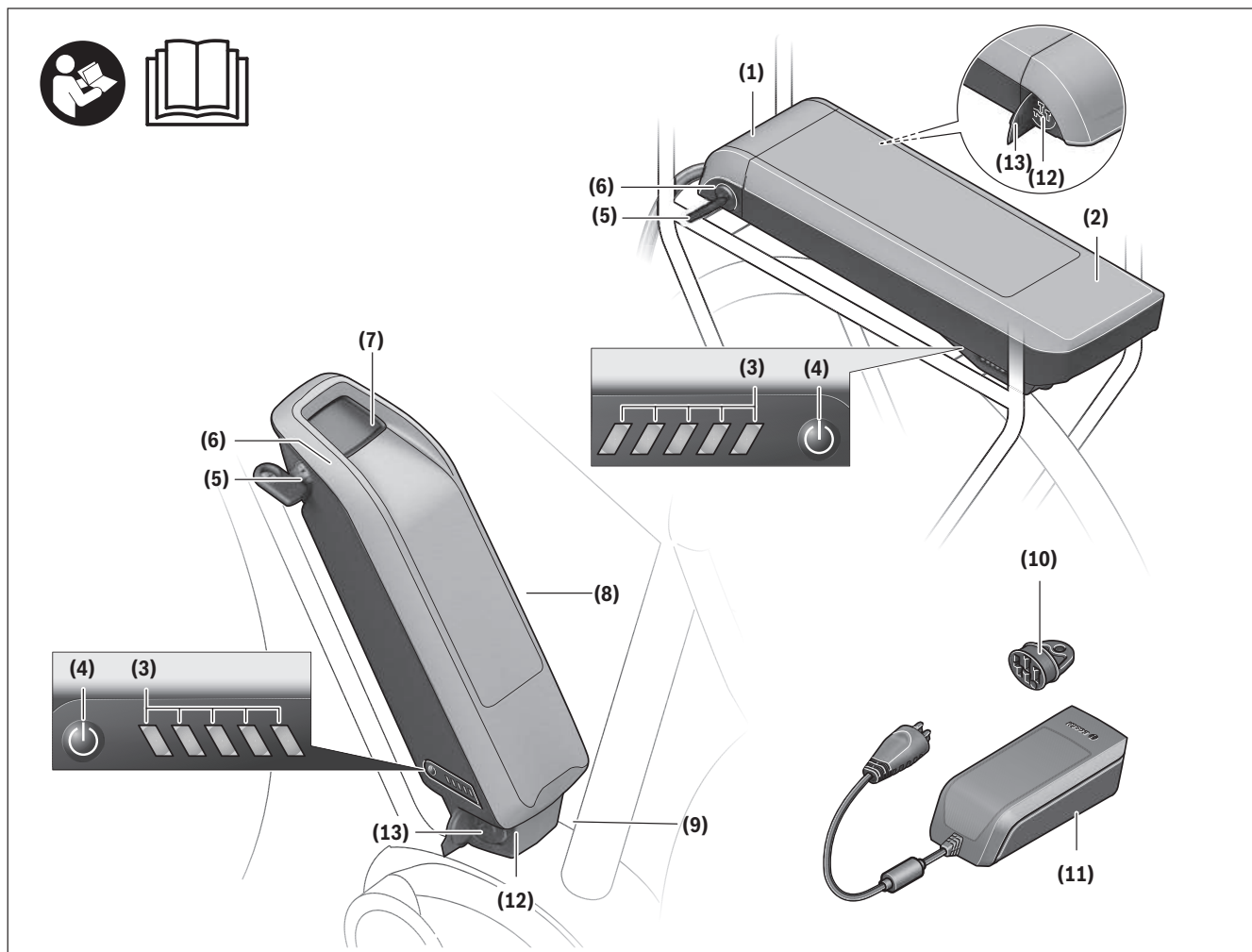
gún signo de deformación/abombamiento/fugas o presenta alguna otra característica inusual, deje de utilizar la batería. Si una batería presenta alguno de estos síntomas y está fallando de forma catastrófica, evacue la zona inmediatamente y llame a las autoridades de bomberos. Sólo si es posible hacerlo de forma segura y rápida debe intentar trasladar la batería al exterior y lejos de personas y materiales inflamables.

Indicación de protección de datos

Al conectar la eBike a **Bosch DiagnosticTool** o sustituir componentes de la eBike, se transmite a Bosch eBike Systems (Robert Bosch GmbH) información técnica sobre su eBike (p.ej., fabricante, modelo, ID de la bicicleta, datos de configuración), así como sobre el uso de la eBike (p.ej., tiempo total de uso, consumo de energía, temperatura) para tramitar su solicitud, en caso de servicio técnico y con fines de mejora del producto. Más información sobre el procesamiento de datos se encuentran en www.bosch-ebike.com/privacy-full.

Descripción del producto y servicio

Características del producto PowerPack

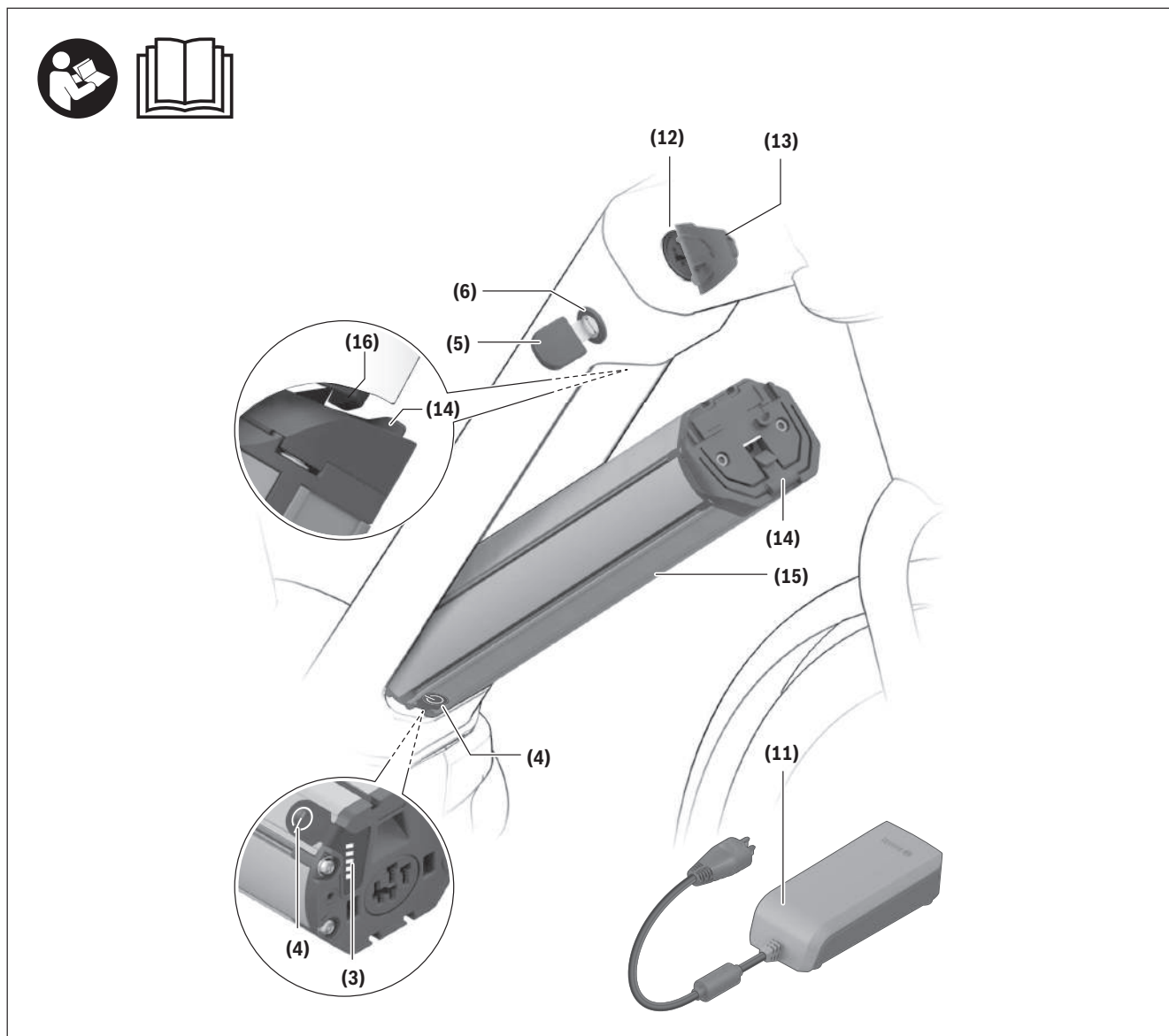


Todas las representaciones de los componentes de la bicicleta, a excepción de las baterías y sus soportes, se muestran de manera esquemática y pueden diferir de su eBike.

- (1)** Soporte del acumulador para portaequipajes
- (2)** Acumulador para portaequipajes
- (3)** Indicador del estado de funcionamiento y de carga
- (4)** Tecla de conexión/desconexión
- (5)** Llave de la cerradura del acumulador
- (6)** Cerradura del acumulador

- (7)** Soporte superior del acumulador estándar
- (8)** Acumulador estándar
- (9)** Soporte inferior del acumulador estándar
- (10)** Tapa cobertera (suministrado sólo con eBikes de 2 acumuladores de eBike)
- (11)** Cargador
- (12)** Conector hembra para el cargador
- (13)** Tapa de conector de carga

Características del producto PowerTube



Todas las representaciones de los componentes de la bicicleta, a excepción de las baterías y sus soportes, se muestran de manera esquemática y pueden diferir de su eBike.

- (3)** Indicador del estado de funcionamiento y de carga
- (4)** Tecla de conexión/desconexión
- (5)** Llave de la cerradura del acumulador
- (6)** Cerradura del acumulador

- (11)** Cargador
- (12)** Conector hembra para el cargador
- (13)** Tapa de conector de carga
- (14)** Fijación de retención PowerTube
- (15)** Acumulador PowerTube
- (16)** Gancho de bloqueo PowerTube

Utilización reglamentaria

Las baterías de la eBike de Bosch están diseñadas exclusivamente para la alimentación de corriente de la unidad de accionamiento y no deben utilizarse para ningún otro objetivo.

Datos técnicos

Acumulador de Iones de Litio		PowerPack 400	PowerPack 500
Código de producto		BBS266 ^{A)} BBR266 ^{B)}	BBS276 ^{A)} BBR276 ^{B)}
Acumulador de portaequipajes		0 275 007 525/526	0 275 007 535/536
Tensión nominal	V	36	36
Capacidad nominal	Ah	11	13,4
Energía	Wh	400	500
Temperatura de servicio	°F	+23 ... +104	+23 ... +104
Temperatura de almacenamiento	°F	+50 ... +104	+50 ... +104
Margen admisible de la temperatura de carga	°F	+32 ... +104	+32 ... +104
Peso, aprox.	lb	5,5 ^{A)} /5,7 ^{B)}	5,7 ^{A)} /6,0 ^{B)}
Grado de protección		IP55	IP55

A) Acumulador estándar

B) Acumulador para portaequipajes

Acumulador de Iones de Litio		PowerTube 400	PowerTube 500	PowerTube 625
Código de producto		BBP287 horizontal BBP288 vertical	BBP285 horizontal BBP286 vertical	BBP295 horizontal BBP296 vertical
Tensión nominal	V	36	36	36
Capacidad nominal	Ah	11	13,4	16,7
Energía	Wh	400	500	625
Temperatura de servicio	°F	+23 ... +104	+23 ... +104	+23 ... +104
Temperatura de almacenamiento	°F	+50 ... +104	+50 ... +104	+50 ... +104
Margen admisible de la temperatura de carga	°F	+32 ... +104	+32 ... +104	+32 ... +104
Peso, aprox.	lb	6,4	6,4	7,7
Grado de protección		IP55	IP55	IP55

Montaje

- ▶ **Solamente coloque la batería de la eBike sobre superficies limpias.** Ponga especial cuidado de no ensuciar el conector hembra para carga ni los contactos, p. ej. con arena o tierra.
- ▶ **Una vez introducida la batería de la eBike, compruebe en todas las direcciones que está firme y correctamente encajada.**
- ▶ **No retire la batería de la eBike durante el proceso de carga.** Si es necesario extraer la batería, primero finalice el proceso de carga antes de extraer la batería de la eBike y, a continuación, una vez que la batería se encuentre en un estado adecuado para la carga, reinicie el proceso de carga.

Verifique la batería de la eBike antes del primer uso

Verifique la batería de la eBike antes de cargarla por primera vez o de usarla con su eBike.

Presione para ello la tecla de conexión/desconexión **(4)** para conectar la batería de la eBike. Si no se enciende ningún LED del indicador de estado de carga **(3)**, entonces es probable que la batería de la eBike esté dañada.

Si se enciende al menos uno, pero no todos los LED en el indicador de estado de carga **(3)**, entonces cargue completamente la batería de la eBike antes de usarla por primera vez.

- ▶ **No cargue una batería de eBike dañada y no la use.** Diríjase a una tienda de bicicletas autorizada.

Carga de la batería de la eBike

- ▶ **Un acumulador de eBike de Bosch sólo se debe cargar con un cargador original de eBike de Bosch.**

Nota: La batería de la eBike se suministra parcialmente cargada. Con el fin de obtener la plena potencia de la batería de la eBike, antes de su primer uso, cárguelo completamente con el cargador.

Lea y atégase a las instrucciones de uso del cargador al cargar la batería de la eBike.

La batería de la eBike se puede cargar en cualquier estado de carga. Una interrupción del proceso de carga no afecta a la batería de la eBike.

La batería de la eBike está equipada con un sistema de control de temperatura, que permite cargar solo en el margen de temperatura entre **32 °F** y **104 °F**.



Si la batería de la eBike se encuentra fuera del margen de temperatura de carga, parpadean tres LED del indicador de estado de carga **(3)**. Desconecte la batería de la eBike del cargador y permita que alcance la temperatura correcta.

⚠ PRECAUCIÓN

- ▶ **No conecte el paquete de baterías al cargador hasta que haya alcanzado la temperatura de carga permitida.**

Indicador del estado de carga fuera de la eBike

Los cinco LED del indicador de estado de carga **(3)** indican el estado de carga cuando la batería de la eBike está conectada.

Cada uno de los LED corresponde por lo tanto a una capacidad aprox. de 20 %. Si la batería de la eBike está completamente cargada, se encienden los cinco LED.

Adicionalmente se muestra el estado de carga de la batería de la eBike conectada en la pantalla del ordenador de a bordo. Para ello lea y atégase a las instrucciones de uso de la unidad de accionamiento y del ordenador de a bordo.

Si la capacidad de la batería de la eBike es inferior al 10 %, el último LED restante parpadea.

Si la capacidad de la batería de la eBike se encuentra por debajo del 5 %, en la batería de la eBike se apagan todos los LED del indicador del estado de carga **(3)**, pero se mantiene la función de indicación del ordenador de a bordo.

Tras la carga, desconecte la batería de la eBike del cargador y el cargador de la red.

Uso de dos baterías para una eBike (opcional)

La eBike también puede encargarse equipada con dos baterías de fábrica. En este caso, uno de los conectores hembra de carga no estará disponible o se encontrará cubierto de fábrica con una capucha de cierre. Cargue las baterías de la eBike solo a través del conector de carga disponible.

► **No abra nunca conectores de carga cerrados por el fabricante.** La carga a través de un conector previamente cerrado puede provocar daños irreparables.

Si desea utilizar una eBike prevista para funcionar con dos baterías con una sola, cubra los contactos del conector libre con la caperuza de cubierta **(10)** suministrada, ya que, de lo contrario, podría producirse un cortocircuito a través de los contactos abiertos.

Ciclo de carga con dos baterías de eBike instaladas

Si la eBike dispone de dos baterías instaladas, pueden cargarse las dos a través de la conexión que no ha sido cerrada. En primer lugar, las dos baterías se cargan una tras otra hasta aprox. el 80–90 % y, a continuación, se cargan por completo en paralelo (los LED de las dos baterías parpadean).

Durante el servicio, las baterías de la eBike se descargan alternadamente.

Si extrae las baterías de la eBike de sus soportes, podrá cargar cada batería de la eBike por separado.

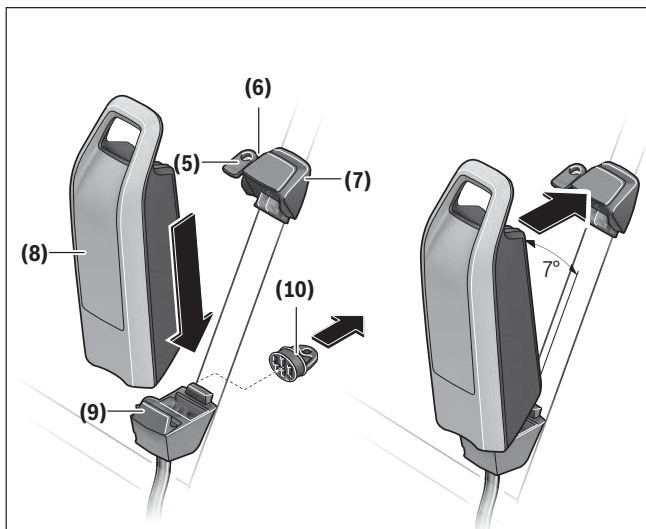
Ciclo de carga con solo una batería de eBike instalada

Si solo hay una batería de la eBike instalada, puede cargar solo la que esté montada en la bicicleta cuyo conector esté disponible. Para cargar la batería de la eBike que tiene el conector cerrado, será necesario extraerla del soporte.

Inserción y extracción de la batería de la eBike

- **Desconecte siempre primero la batería y el sistema eBike para insertar o extraer la batería de la eBike del soporte.**
- **Una vez introducida la batería de la eBike, compruebe en todas las direcciones que está firme y correctamente encajada.**

Colocar y retirar una batería estándar



Para que se pueda colocar la batería, la llave (5) debe estar en la cerradura (6) y la cerradura debe estar abierta.

Para **insertar la batería estándar (8)**, colóquela con los contactos en el soporte inferior (9) de la eBike (la batería puede estar inclinada hasta 7° con respecto al marco). Gírela hasta el tope en el soporte superior (7) hasta que encaje de forma audible.

- **Compruebe siempre que el paquete de baterías esté bloqueado en su lugar.** Para ello, tire de la batería (después de haber retirado la llave).

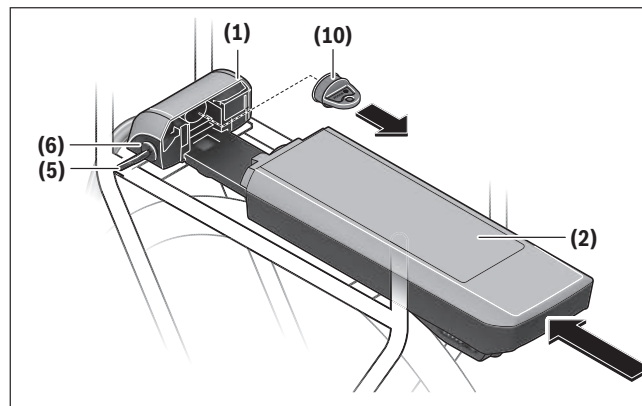
Bloquee siempre la batería de la eBike con la cerradura (6), ya que de lo contrario, la cerradura se puede abrir y la batería de la eBike puede caerse del soporte.

Saque siempre la llave (5) de la cerradura (6) después de cerrarla. De esta forma se evita que la llave se

caiga o que la batería de la eBike la retiren terceros no autorizados cuando la eBike está parada.

Para **retirar la batería estándar (8)**, desconéctela y abra la cerradura con la llave (5). Saque la batería de la eBike del soporte superior (7) y retírela del soporte inferior (9).

Colocar y retirar una batería de portaequipajes



Para que se pueda colocar la batería, la llave (5) debe estar en la cerradura (6) y la cerradura debe estar abierta.

Para **insertar la batería para portaequipajes (2)**, colóquela con los contactos por delante hasta que encaje en el soporte (1) del portaequipajes hasta que encaje de forma audible.

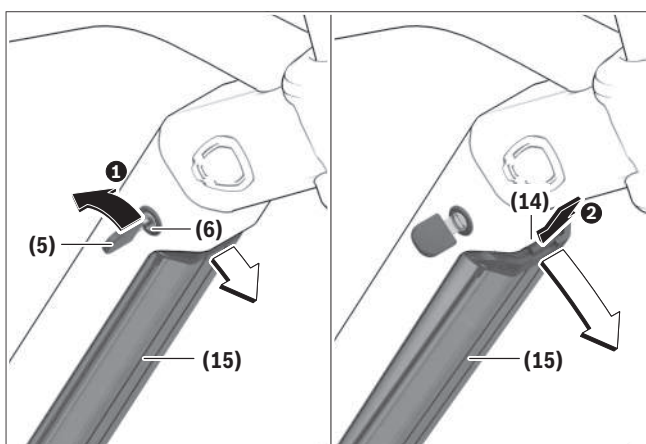
- **Compruebe siempre que el paquete de baterías esté bloqueado en su lugar.** Para ello, tire de la batería (después de haber retirado la llave).

Bloquee siempre la batería con la cerradura (6), ya que de lo contrario, la cerradura se puede abrir y la batería puede caerse del soporte.

Saque siempre la llave (5) de la cerradura (6) después de cerrarla. De esta forma se evita que la llave se caiga o que la batería de la eBike la retiren terceros no autorizados cuando la eBike está parada.

Para **extraer la batería para portaequipajes (2)**, desconéctela y desbloquee la cerradura con la llave (5). Retire la batería del soporte (1).

Retirar el acumulador PowerTube



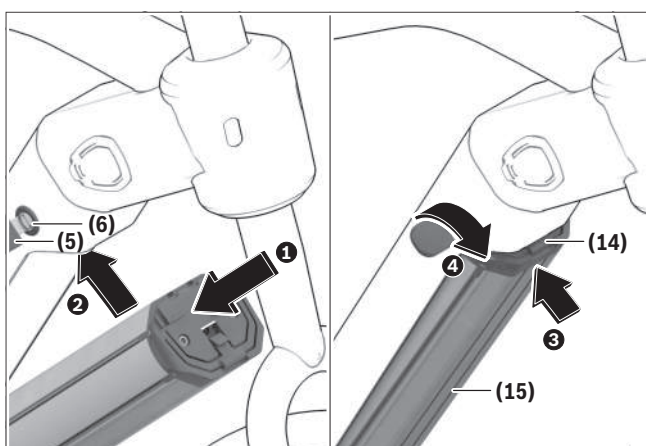
- 1 Para retirar la batería PowerTube (15), abra la cerradura de la batería (6) con la llave (5). La batería se desbloquea y cae en el dispositivo de retención (14).

Nota: Asegúrese de sujetar la batería de la eBike con la mano al extraerla.

- 2 Sujete la batería firmemente y presione el sistema de sujeción (14). La batería se desbloquea por completo y cae en la mano. A continuación, retire la batería del cuadro.

Nota: Debido a diferentes realizaciones constructivas, puede ser que la inserción y la extracción de la batería deba realizarse de otro modo. Lea al respecto las instrucciones de servicio del fabricante de la eBike.

Colocar el acumulador PowerTube



Para poder introducir la batería, se debe insertar la llave (5) en la cerradura de la batería (6), que debe estar cerrada.

- 1 Para insertar la batería PowerTube (15), introdúzcala con los contactos en el soporte inferior del cuadro.
- 2 Mantenga abierta la cerradura del acumulador con la llave y gire el acumulador hacia arriba hasta que quede sujeto en el sistema de retención (14).
- 3 Suelte la llave y presione el acumulador hacia arriba, hasta que encastre claramente perceptible.
- 4 Cierre siempre la batería con la cerradura (6) porque, de lo contrario, la cerradura de la batería podría abrirse y caer la batería del soporte.

► **Compruebe siempre que el paquete de baterías esté bloqueado en su lugar.** Para ello, tire de la batería (después de haber retirado la llave).

Después de cerrarla, retire siempre la llave (5) de la cerradura de la batería (6). De esta forma se evita que la llave se caiga o que la batería de la eBike la retiren terceros no autorizados cuando la eBike está parada.

Operación

Puesta en marcha

- **Utilice únicamente baterías originales de eBike de Bosch autorizadas por el fabricante para su eBike.** El uso de otro tipo de baterías de eBikes puede acarrear lesiones e incluso un incendio. Si se usan baterías de eBikes de otro tipo, Bosch declina cualquier responsabilidad y el derecho a garantía.

Conexión/desconexión

Una de las opciones para conectar el sistema eBike es conectando la batería. Para ello lea y atégase a las instrucciones de uso de la unidad de accionamiento y del ordenador de a bordo.

Antes de encender la batería de la eBike, el sistema eBike o la eBike, compruebe si la cerradura **(6)** está cerrada.

Para **encender** la batería de la eBike, pulse la tecla de conexión/desconexión **(4)**. No utilice ningún objeto afilado o puntiagudo para pulsar la tecla. Los ledes del indicador **(3)** se iluminan y muestran al mismo tiempo el estado de carga.

- **Compruebe siempre que el paquete de baterías esté bloqueado en su lugar.** Para ello, tire de la batería (después de haber retirado la llave).

Nota: Si la capacidad de la batería de la eBike es inferior al 5 %, en la batería no se enciende ningún LED del indicador de estado de carga **(3)**. Solamente se puede ver si la eBike está conectada en el ordenador de a bordo/en el cuadro de mandos.

Para **apagar** la batería de la eBike, pulse de nuevo la tecla de conexión/desconexión **(4)**. Los ledes del in-

dicador **(3)** se apagan. La eBike también se desconecta.

Si durante unos **10** minutos no se solicita asistencia de accionamiento (p. ej. porque la eBike está parada) y no se pulsa ninguna tecla del ordenador de a bordo o del cuadro de mandos de la eBike, la eBike se desconecta automáticamente.

La batería de la eBike está protegida contra descarga total, sobrecarga, sobrecalentamiento y cortocircuito gracias al sistema de protección electrónica de celdas "Electronic Cell Protection (ECP)". En esos casos, un circuito de protección se encarga de desconectar automáticamente la batería de la eBike.



Si se detecta un defecto de la batería de la eBike, dos LED del indicador de estado de carga **(3)** parpadearán. En este caso, diríjase a un distribuidor de bicicletas autorizado.

Comportamiento en caso de avería

La batería de la eBike de Bosch no se debe abrir, ni siquiera para fines de reparación. Existe el riesgo de que la batería de la eBike de Bosch se inflame, p. ej., debido a un cortocircuito. Este peligro existe al seguir utilizando una batería de eBike de Bosch **una vez** abierta, también en una fecha posterior.

Por esta razón, no deje reparar la batería de la eBike de Bosch en caso de avería, sino reemplácela por una batería original de eBike de Bosch con su distribuidor especializado.

Transporte

- **Si lleva su eBike en el exterior del automóvil, por ejemplo en un portaequipajes externo al vehículo, retire el ordenador de a bordo y la batería de la eBike para evitar daños.**

Las baterías de la eBike están sometidas a los requisitos de la legislación sobre el transporte de mercancías peligrosas.

Para el transporte por parte de usuarios profesionales o a través de terceros (p. ej. transporte aéreo o empresa de transporte), es imprescindible tener en cuenta los requerimientos especiales en cuanto al embalaje y la identificación (p. ej. disposiciones del ADR). En caso necesario puede consultarse a un ex-

perto en mercancías peligrosas sobre la preparación del paquete de envío.

No envíe ni transporte una batería dañada ni intente eludir las leyes relativas al envío de baterías de iones de litio. El incumplimiento de esta advertencia puede provocar un incendio durante el proceso de transporte, con el resultado de lesiones personales graves o la muerte de trabajadores del transporte o del público, y daños a vehículos o instalaciones de transporte por los cuales usted puede ser considerado civil y penalmente responsable. Para el transporte de la batería de la eBike utilice exclusivamente el embalaje original de Bosch. Coloque cinta adhesiva sobre los contactos expuestos y embale la batería de la eBike de forma que no pueda moverse dentro del embalaje. Informe a su servicio de transporte de paquetes de que el pa-

quete contiene mercancías peligrosas. Compruebe siempre las normativas estatales y federales antes de intentar enviar su batería.

- ▶ **Utilice en todo caso un portabicicletas homologado y compatible cuando transporte su eBike. El sistema de accionamiento de Bosch incrementa el peso de la bicicleta.** Consulte el manual de su portabicicletas para asegurarse de que la eBike es compatible. Sobrecargar un portabicicletas puede causar la muerte o lesiones graves.
- ▶ **Utilice técnicas de elevación adecuadas, ya que las bicicletas eléctricas suelen ser más pesadas que las normales.**

En todas las consultas referentes al transporte de las baterías de la eBike, diríjase a un distribuidor de bicicletas autorizado.

Mantenimiento/Limpieza

⚠ ADVERTENCIA

- ▶ **No abra ni deforme la carcasa de la batería y/o realice cualquier modificación o servicio en la batería. El paquete de baterías no contiene componentes que el usuario pueda reparar.** La apertura de una batería de iones de litio puede resultar peligrosa.
- ▶ **Desconecte siempre la batería cuando la introduzca o extraiga del soporte.** Nunca intente introducir ni extraer la batería con la bicicleta en marcha.
- ▶ **No sumerja los componentes de su eBike en agua, ni los lave con manguera a presión.** Su paquete de baterías Bosch está diseñado para resistir el agua de lluvia o el lavado con manguera sin presión.
- ▶ **Apunte el fabricante y el número de la llave.** Si pierde las llaves, diríjase a un distribuidor de eBike de Bosch autorizado. Facilite el nombre del fabricante y el número de la llave.
- ▶ **No aplique productos de limpieza, pintura o productos químicos a ningún componente del siste-**

ma de accionamiento Bosch, ya que pueden provocar un fallo prematuro del componente.

Servicio técnico y atención al cliente

Para cualquier consulta sobre baterías eBike, diríjase a un distribuidor de bicicletas autorizado.

- ▶ **Anote el fabricante y el número de la llave (5).** En caso de pérdida de la llave diríjase a una tienda de bicicletas autorizada. Deberá indicar entonces el fabricante y el número de la llave.

Los detalles de contacto de los distribuidores de bicicletas autorizados se pueden encontrar en el sitio web www.bosch-ebike.com.



Informaciones adicionales sobre los componentes de la eBike y sus funciones se encuentran en el Bosch eBike Help Center.

Limpieza

- ▶ **El acumulador de la eBike no debe sumergirse en agua ni limpiarse con un limpiador de alta presión.**

Mantenga limpios los componentes de su eBike, especialmente los contactos del acumulador y del res-

pectivo soporte. Todos los componentes inclusive la unidad motriz no deberán sumergirse en agua ni tratarse con una limpiadora de alta presión. Límpielos con un paño suave y húmedo (utilice únicamente jabón neutro y agua).

Mantenga la batería de la eBike limpia y evite el contacto con productos para el cuidado de la piel, crema

solar y repelentes de insectos. Límpielo con cuidado con un trapo húmedo y suave.

Limpie los polos del conector de vez en cuando y engráselos ligeramente. Para ello, utilice vaselina médica o técnica.

Si su batería de la eBike ya no funciona acuda por favor a una tienda de bicicletas autorizada.

Almacenamiento

La vida útil del acumulador de la eBike puede prolongarse si éste se trata apropiadamente y ante todo si se almacena respetando el margen de temperatura prescrito.

Aún así, a medida que va envejeciendo el acumulador de la eBike, su capacidad irá mermando.

Un período de funcionamiento significativamente reducido después de la carga indica que el paquete de baterías de la eBike está desgastado y debe ser reemplazado. Puede reemplazarse comprando un Power-Pack de Bosch original en un distribuidor autorizado de eBike de Bosch.

Recarga de la batería de la eBike antes y durante su almacenaje

En el caso de no utilizar la batería de la eBike durante un largo tiempo (> 3 meses), almacénela con un estado de carga de aprox. el 30 % hasta el 60 % (2 a 3 LED del indicador de estado de carga **(3)** iluminados).

Controle el nivel de carga pasados 6 meses. Si solo está encendido aún un LED del indicador de estado de carga **(3)**, entonces recargue la batería de la eBike de nuevo aprox. al 30 % hasta 60 %.

Nota: Si la batería de la eBike se almacena en un estado descargado durante mucho tiempo, puede dañarse a pesar de la baja autodescarga, y la capacidad de almacenamiento puede reducirse considerablemente.

Condiciones para el almacenaje

Se aconseja guardar la batería de la eBike en un lugar seco y bien ventilado. Protéjalo de la humedad y del agua. En condiciones climáticas adversas, se reco-

mienda p. ej. retirar la batería de la eBike y almacenarla en habitaciones cerradas hasta el siguiente uso. Si la batería está integrada en el cuadro, toda la eBike debe guardarse en un lugar cerrado.

No guarde la batería de la eBike en los siguientes lugares:




- En habitaciones sin detector de humo
- Cerca de objetos inflamables o fácilmente inflamables
- cerca de radiadores y otras fuentes de calor
- En vehículos cerrados (especialmente en verano)
- Bajo radiación solar directa

Para una vida útil óptima de la batería de la eBike, guarde la batería de la eBike a temperatura ambiente. Las temperaturas inferiores a **14 °F** o superiores a **140 °F** deben evitarse siempre.

Preste atención a no rebasar la temperatura de almacenaje máxima.

► **Mantenga la batería y los conectores del puerto de carga (terminales o clavijas) secos, limpios y sin residuos. Asegúrese de que la batería y el cargador no tengan objetos cubriéndolos o colocados sobre ellos.**

Resolución de problemas

Causa	Remedio
 <p>Batería de la eBike defectuosa</p>	<p>Parpadean dos LED en la batería de la eBike.</p> <p>Contactar con un distribuidor de bicicletas autorizado.</p>
 <p>Batería de la eBike demasiado caliente o fría</p>	<p>Parpadean tres LED en la batería de la eBike.</p> <p>Desconectar la batería de la eBike del cargador hasta que se alcance el rango de temperatura de carga.</p> <p>No conecte de nuevo la batería de la eBike al cargador hasta que haya alcanzado la temperatura de carga correcta.</p>
 <p>El cargador no carga.</p>	<p>No parpadea ningún LED (en función del estado de carga de la batería de la eBike se iluminan permanentemente uno o varios LED).</p> <p>Contactar con un distribuidor de bicicletas autorizado.</p>
No es posible cargar (ninguna indicación en la batería de la eBike)	
Enchufe introducido incorrectamente	Verificar todas las conexiones por enchufe.
Contactos de la batería de la eBike sucios	Limpiar con cuidado los contactos de la batería de la eBike.
Toma de corriente, cable o cargador defectuoso	Comprobar la tensión de la red; dejar revisar el cargador por parte del distribuidor de bicicletas.
Batería de la eBike defectuosa	Contactar con un distribuidor de bicicletas autorizado.

Programa de reciclaje de baterías



Las baterías, accesorios y embalajes de la eBike deberán someterse a un proceso de recuperación que respete el medio ambiente.

¡No arroje eBikes y sus componentes a la basura!

No tire una batería de eBike ni ninguna otra batería de iones de litio a la basura doméstica normal o a un contenedor de basura público. Las baterías que entran en el flujo normal de residuos pueden dañarse y provocar un incendio con resultado de lesiones graves, muerte, daños materiales y contaminación ambiental. Antes de eliminar las baterías, proteja los contactos de los polos de las mismas con cinta adhesiva.

No manipule los acumuladores de eBike dañados con manos desprotegidas, ya que puede derramarse electrolito y causar irritaciones cutáneas. Guarde el acumulador defectuoso en un lugar seguro al aire libre. Si es necesario, aisle los polos e informe a su distribuidor. Él le ayudará con la eliminación adecuada.



Puede reciclar su paquete de baterías de Bosch llamando al 1.800.822.8837.